



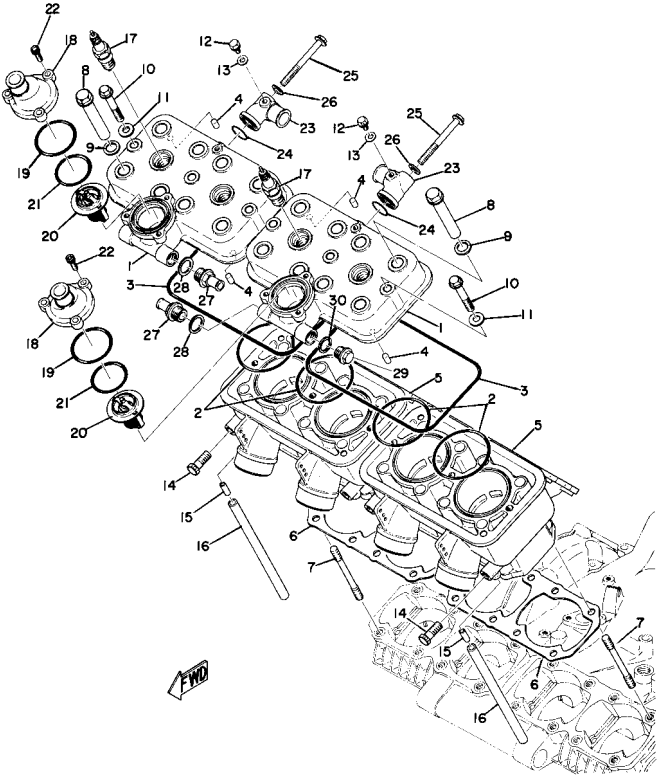
YAMAHA

GENUINE

PARTS CATALOGUE

MOTORCYCLE

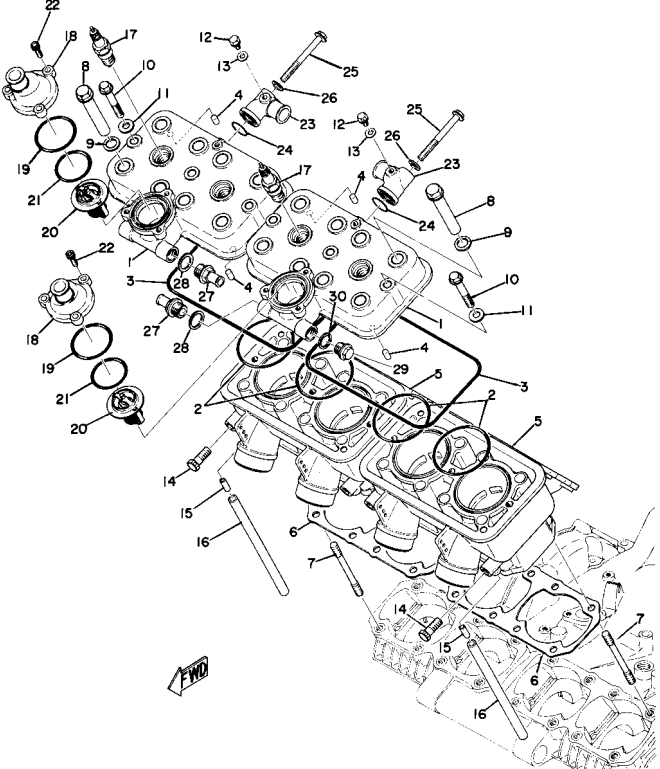
CYLINDER HEAD - CYLINDER



Ref. No.	Part Number	Description	Qty	Remarks
1	(409-11111-70-00)	HEAD, CYLINDER 1	2	
2	93210-71462-00	O-RING	4	
3	93211-90247-00	O-RING	2	
4	93606-12019-00	PIN, DOWEL	4	
5	(409-11311-71-00)	CYLINDER 1	2	
6	1X2-11351-00-00	GASKET, CYLINDER	2	
7	90116-08265-00	NO LONGER AVAILABLE	16	
8	90179-08187-00	NUT, SPEC'L SHAPE	16	
9	90201-12172-00	WASHER, PLATE	16	
10	95021-08055-00	BOLT, FLANGE	6	
11	90201-08087-00	WASHER, PLATE	6	
12	90338-06041-00	PLUG	2	
13	90430-06166-00	GASKET	2	
14	90340-10016-00	PLUG, STRAIGHT SCRW (383-11374-00)	4	
15	383-11375-00-00	NIPPLE, HOSE 1	2	
16	(90445-10139-00)	HOSE	2	
17	(CMP-N82G0-00-00)	CHAMPION N82G 10PK	4	N/A CHAMPION
18	(1X2-12413-00-00)	COVER, THERMOSTAT	2	
19	93210-45150-00	O-RING	2	
20	717-12411-00-00	THERMOSTAT	2	
21	93210-40659-00	O-RING	2	
22	91316-06020-00	BOLT, SOCKET HEAD	6	
23	(383-12498-00-00)	JOINT	2	
24	93210-20027-00	O-RING	2	
25	90105-08013-00	BOLT, WASHER BASED	2	
26	90210-08002-00	WASHER, SEAL	2	
27	(409-12499-00-00)	JOINT	2	
28	90430-16068-00	GASKET	2	

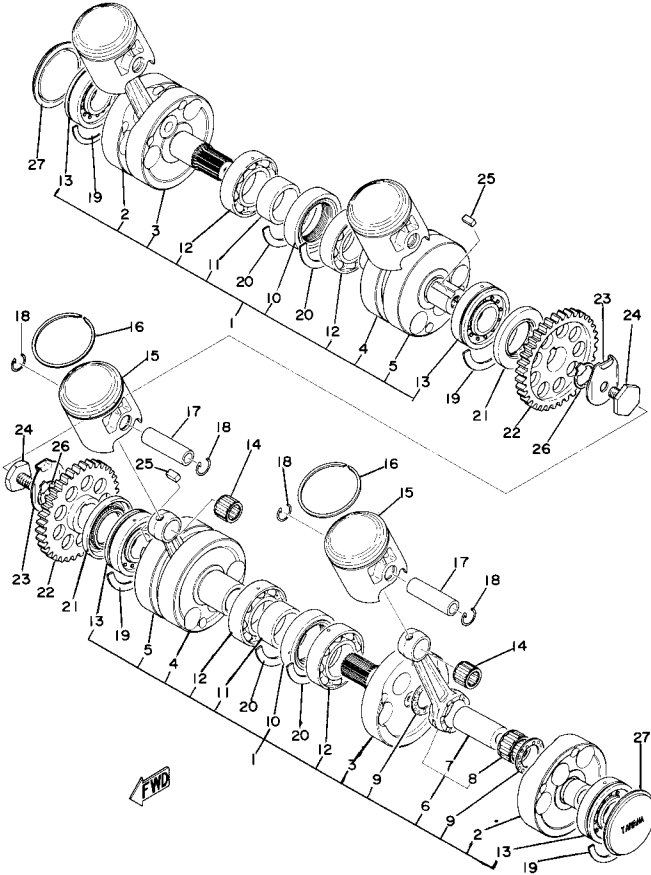
CONTINUED ON NEXT FRAME ➤

CYLINDER HEAD - CYLINDER



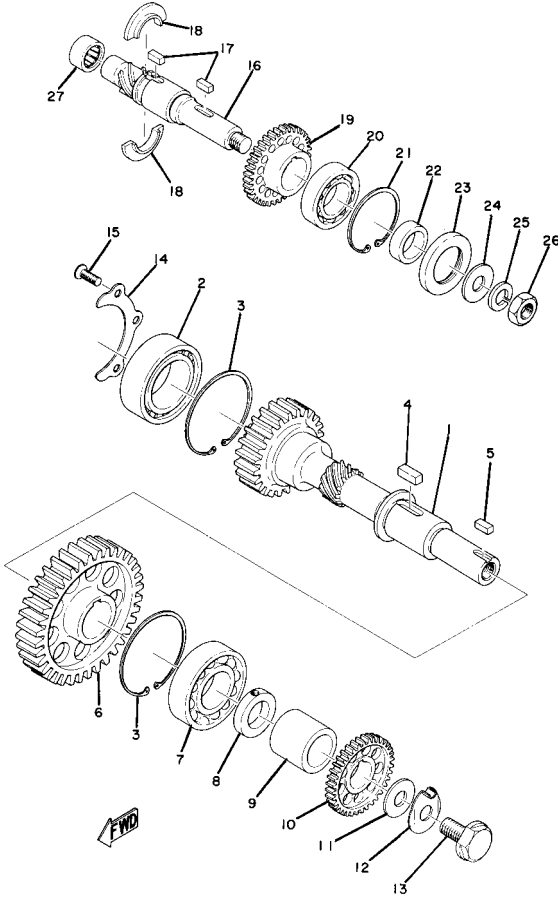
Ref. No.	Part Number	Description	Qty	Remarks
29	90109-16380-00	BOLT (409-12429-00)	1	
30	90430-16068-00	GASKET	1	

CRANK - PISTON



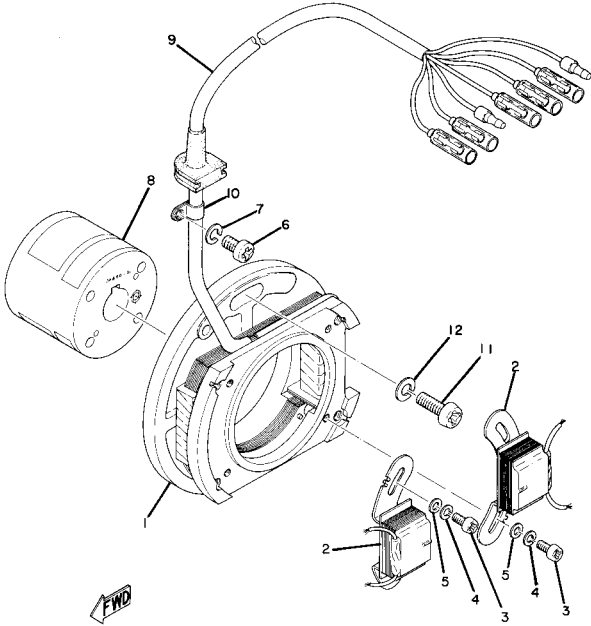
Ref. No.	Part Number	Description	Qty	Remarks
1	(1X2-11400-00-00)	CRANKSHAFT ASSEMBLY . . .	2	
2	(1X2-11412-00-00)	CRANK 1	2	
3	(1X2-11447-00-00)	SEAL, CRANK	2	
4	(1X2-11432-00-00)	CRANK 3		
5	(1X2-11442-00-00)	CRANK 4	2	
6	3G2-11650-09-00	. CONNECTING ROD ASSEMBLY	4	
7	8G8-11681-00-00	. . PIN, CRANK 1	4	
8	93310-422C8-00	. . BEARING, CYLINDER.	4	
9	90209-22248-00	. WASHER	8	
10	328-11515-00-00	. SEAL, LABYRINTH 1	2	
11	90387-32204-00	. COLLAR (328-11513-00)	2	
12	93306-20614-00	. BEARING	4	
13	93390-00012-00	. BEARING, CYLINDER. # 0	4	
14	93310-216E1-00	BEARING	4	
15	1X2-11631-00-36	PISTON STD	1	
	1X2-11631-00-37	PISTON STD	4	
16	409-11611-70-00	RING, PISTON	4	
17	4L0-11633-00-00	PIN, PISTON	4	
18	93450-17025-00	CIRCLIP	8	
19	328-17424-00-00	CIRCLIP 1	4	
20	278-17424-01-00	CIRCLIP 1	4	
21	93110-37003-00	OIL SEAL, SWO-TYPE	2	
22	(409-11536-00-00)	GEAR, DRIVE	2	
23	(90215-10133-00)	WASHER, LOCK	2	
24	90101-10375-00	NO LONGER AVAILABLE	2	
25	(90282-07007-00)	KEY, STRAIGHT	2	
26	(1X2-11447-00-00)	SEAL, CRANK	2	
27	90338-62020-00	PLUG, SPEC'L SHAPE	2	

COUNTER SHAFT



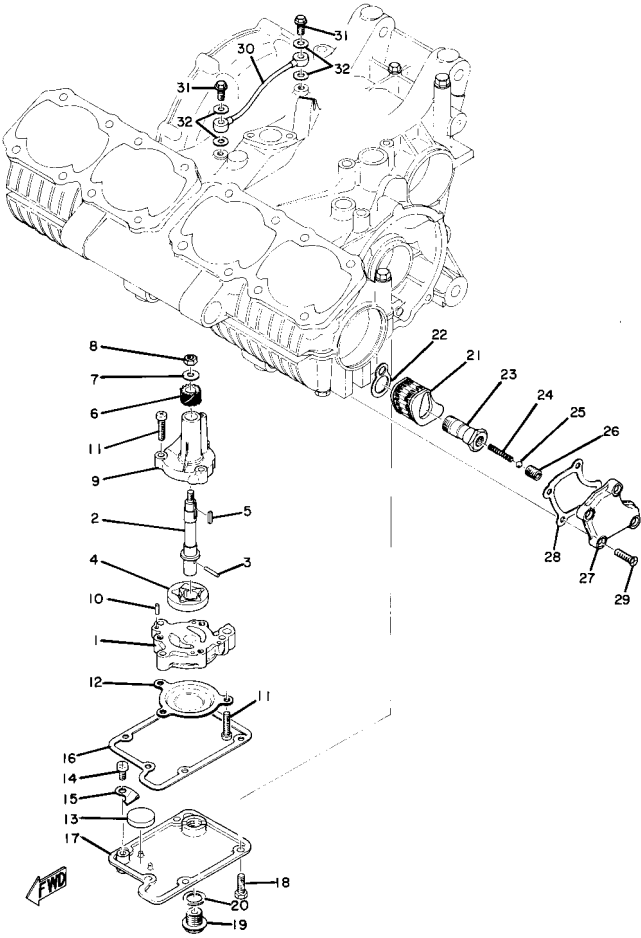
Ref. No.	Part Number	Description	Qty	Remarks
1	(409-16110-03-00)	PRI DRV GEAR ASSEMBLY ..	1	
2	(93390-00010-00)	BEARING, CYLINDER. # 0	1	
3	93420-62070-00	CIRCLIP 54G	2	
4	90282-07021-00	KEY, STRAIGHT	1	
5	90282-05011-00	KEY, STRAIGHT	1	
6	(409-11537-00-00)	GEAR, DRIVEN	1	
7	93306-20607-00	BEARING (B6206)	1	
8	(90560-25132-00)	SPACER	1	
9	(90560-25133-00)	SPACER	1	
10	(409-11136-01-00)	PLATE, BREATHER 4	1	
11	90201-16513-00	WASHER, PLATE (12.5-30-2.6)	1	
12	(90215-16112-00)	WASHER, LOCK	1	
13	(90109-16342-00)	BOLT	1	
14	(409-11156-01-00)	SHAFT, BREAKER	1	
15	98701-06014-00	SCREW, FLAT HEAD	3	
16	(409-15381-00-00)	PLATE, BRNG COVER	1	
17	90282-05011-00	KEY, STRAIGHT	2	
18	156-17429-00-00	SPACER, DRIVE AXLE	2	
19	(409-11137-00-00)	GEAR, BREAKER DRVN	1	
20	93306-00505-00	BEARING	1	
21	99009-47500-00	CIRCLIP	1	
22	(90560-21057-00)	SPACER	1	
23	(93101-30066-00)	OIL SEAL, S-TYPE	1	
24	90201-16513-00	WASHER, PLATE (12.5-30-2.6)	1	
25	92901-12100-00	WASHER, SPRING	1	
26	90170-12060-00	NUT	1	
27	93315-21721-00	BEARING, CYLINDER.# 5	1	

C - D - I - MAGNETO



Ref. No.	Part Number	Description	Qty	Remarks
1	(409-85510-10-00)	STATOR ASSEMBLY	1	
2	364-85543-10-00	. COIL PULSER	2	
3	98580-05010-00	. SCREW, PAN HEAD	4	
4	92990-05100-00	. WASHER, SPRING	4	
5	92990-05200-00	. WASHER, PLAIN	4	
6	98580-04008-00	. SCREW, PAN HEAD	1	
7	92901-04100-00	. WASHER, SPRING		
8	(409-85550-10-00)	ROTOR ASSEMBLY	1	
9	(409-85515-10-00)	LEAD WIRE ASSEMBLY	1	
10	109-81328-11-00	. CLAMP	1	
11	98580-06018-00	SCREW, PAN HEAD	2	
12	92995-06100-00	WASHER, SPRING	2	
-1	1X2-85500-10-00	NO LONGER AVAILABLE	1	

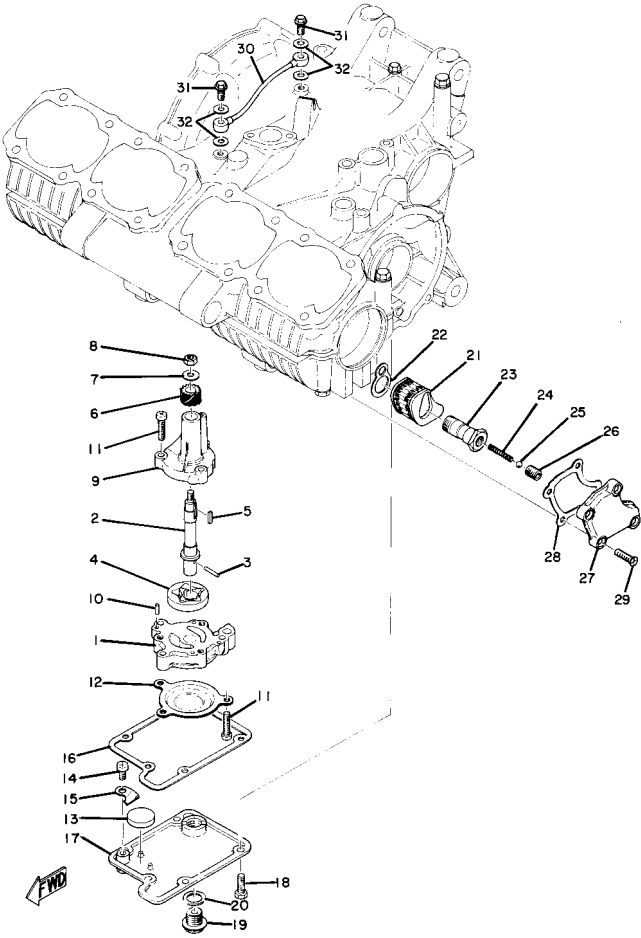
OIL PUMP



Ref. No.	Part Number	Description	Qty	Remarks
1	(409-13336-00-00)	HOUSING, ROTOR	1	
2	(409-13314-00-00)	SHAFT, PUMP	1	
3	93603-17070-00	PIN, DOWEL	1	
4	256-13310-02-00	ROTOR ASSEMBLY 1	1	
5	(90282-03012-00)	KEY, STRAIGHT	1	
6	409-13325-01-00	NO LONGER AVAILABLE	1	
7	90201-06643-00	WASHER, PLATE	1	
8	95380-06600-00	NUT	1	
9	409-13316-00-00	NO LONGER AVAILABLE	1	
10	93604-10011-00	PIN, DOWEL	2	
11	98511-06025-00	SCREW PAN HEAD (92501-06025)	3	
12	(409-13411-00-00)	STRAINER, OIL	1	
13	(371-13419-00-00)	PLUG	1	
14	98580-06012-00	SCREW, PAN HEAD	1	
15	(90209-06048-00)	WASHER, SPEC'L SHAP	1	
16	1X2-13414-00-00	GASKET, STRNR COVER	1	
17	(1X2-13417-01-00)	COVER, STRAINER	1	
18	91316-06018-00	BOLT, SOCKET HEAD	5	
19	90340-14033-00	PLUG, STRAIGHT SCRW	1	
20	214-11198-01-00	GASKET	1	
21	(409-13441-00-00)	ELEMENT, OIL CLNR	1	
22	(409-13445-00-00)	GASKET, ELEMENT	1	
23	(90401-16012-00)	BOLT, UNION	1	
24	90501-07031-00	SPRING, COMPRESSION	1	
25	93501-04011-00	BALL	1	
26	90149-10019-00	SCREW, SPEC'L SHAPE	1	
27	(1X2-13447-00-00)	COVER, OIL ELEMENT	1	
28	(409-13449-00-00)	GASKET, ELMNT COVER	1	

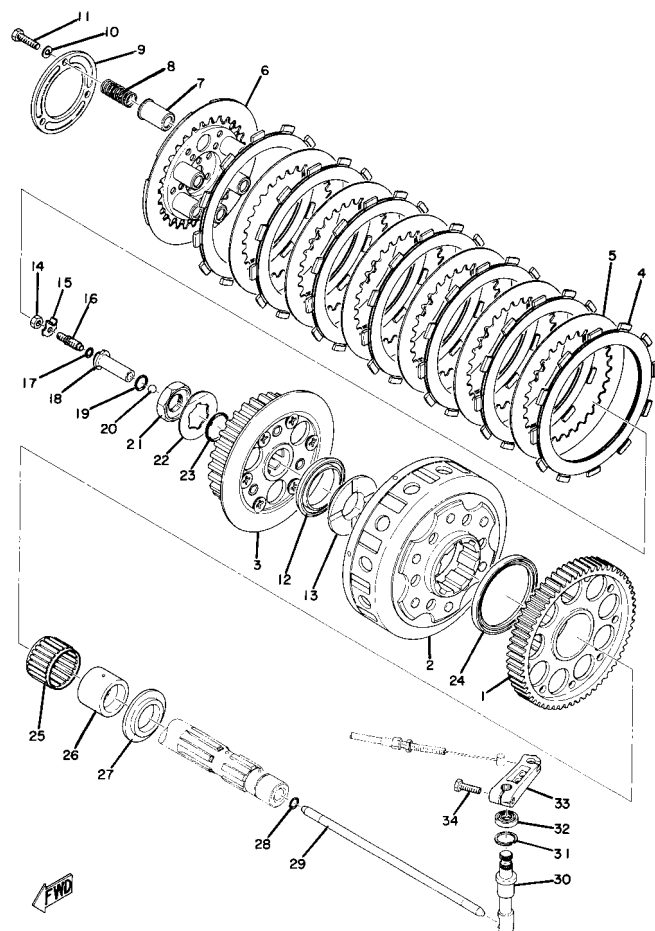
CONTINUED ON NEXT FRAME ►

OIL PUMP



Ref. No.	Part Number	Description	Qty	Remarks
29	98702-06020-00	SCREW, FLAT HEAD (92702-06020)	4	
30	(409-13161-01-00)	PIPE, DELIVERY 1	1	
31	(90401-08036-00)	BOLT, UNION	2	
32	(90430-08118-00)	GASKET	4	

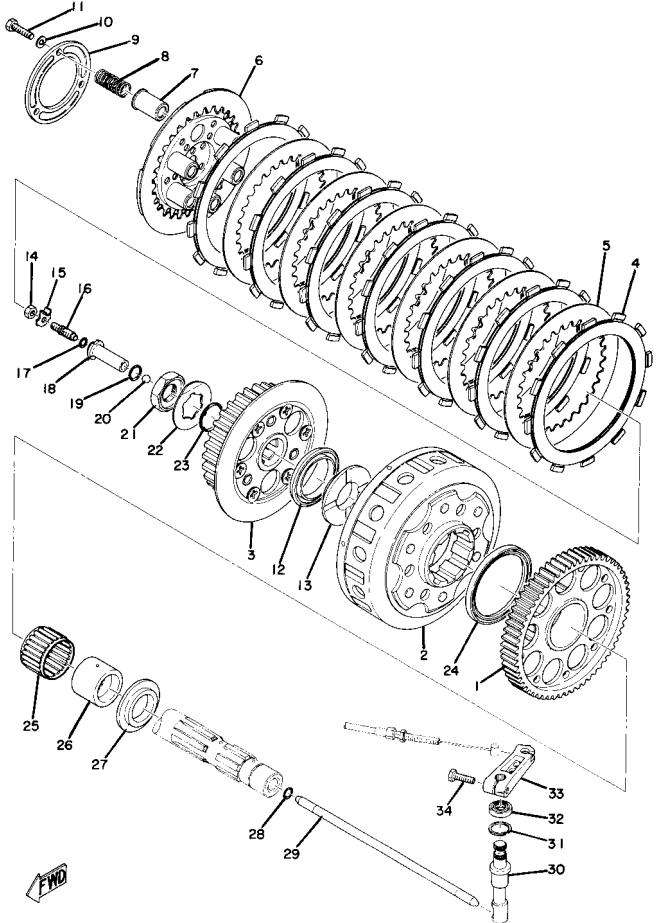
CLUTCH



Ref. No.	Part Number	Description	Qty	Remarks
1	(409-16151-00-00)	GEAR, PRI DRIVEN	1	
2	(409-16160-01-00)	BUFFER BOSS ASSEMBLY	1	
3	(409-16370-00-00)	CLUTCH BOSS ASSEMBLY	1	
4	(409-16321-00-00)	PLATE, FRICTION	7	
5	256-16325-00-00	. PLATE, CLUTCH 2	6	
6	(409-16351-91-00)	PLATE, PRESSURE 1	1	
7	(409-16321-00-00)	PLATE, FRICTION	6	
8	90501-23141-00	. SPRING, COMPRESSION	6	
9	(409-16352-00-00)	PLATE, PRESSURE 2	1	
10	92995-06100-00	. WASHER, SPRING	3	
11	97011-06025-00	. BOLT (97001-06025)	3	
12	(93107-42007-00)	OIL SEAL, OS-TYPE	1	
13	(409-16182-00-00)	SPACER 2	1	
14	95380-06600-00	NUT	1	
15	(90215-06051-00)	WASHER, LOCK	1	
16	(409-16343-00-00)	SCREW, ADJUSTING	1	
17	93210-05098-00	O-RING	1	
18	(409-16348-01-00)	CROWN, PUSH	1	
19	93210-12152-00	O-RING	1	
20	93505-16006-00	BALL	1	
21	90179-22063-00	NUT	1	
22	90215-26024-00	WASHER, LOCK	1	
23	93210-26240-00	O-RING	1	
24	93102-66439-00	OIL SEAL, S-TYPE	1	
25	(93310-34072-00)	BEARING, CYLINDER.# 0	1	
26	(409-16181-00-00)	SPACER 1	1	
27	(409-16154-00-00)	PLATE, THRUST 1	1	
28	93210-07540-00	O-RING	1	
29	93210-07540-00	O-RING	1	

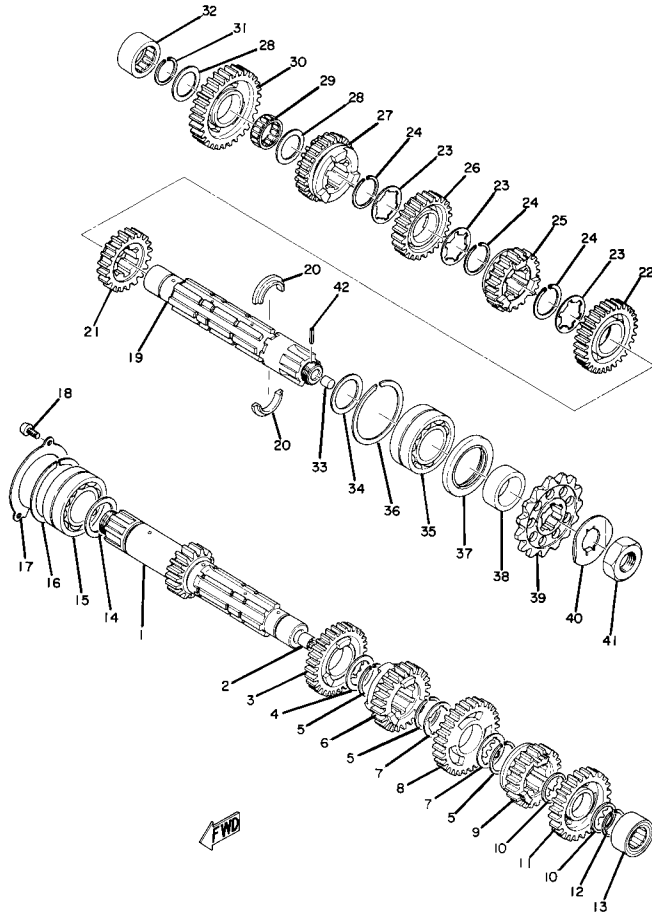
CONTINUED ON NEXT FRAME ➤

CLUTCH



Ref. No.	Part Number	Description	Qty	Remarks
30	(409-16382-00-00)	AXLE, PUSH LEVER	1	
31	(93420-21038-00)	CIRCLIP, R-TYPE	1	
32	(93102-12123-00)	OIL SEAL, SD-TYPE	1	
33	(409-16362-01-00)	LEVER, PUSH 2	1	
34	97016-06025-00	BOLT	1	
-1	(1X2-16301-00-00)	CLUTCH ASSEMBLY	1	

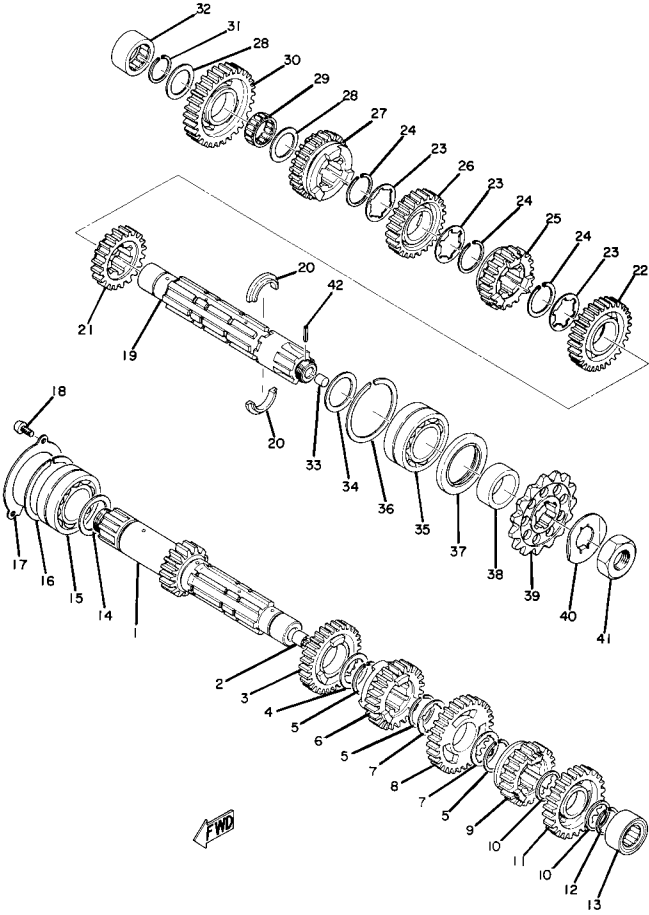
TRANSMISSION



Ref. No.	Part Number	Description	Qty	Remarks
1	(409-17411-00-00)	AXLE, MAIN	1	
2	(409-17447-01-00)	BUSH, MAIN AXLE	1	
3	(409-17141-00-00)	GEAR, 4TH PINION	1	
4	(90201-30399-00)	WASHER, PLATE	1	
	(90201-30438-00)	WASHER, PLATE		
	90201-30398-00	WASHER, PLATE	1	
5	93440-30033-00	NO LONGER AVAILABLE	3	
6	(409-17131-00-00)	GEAR, 3RD PINION	1	
7	(90209-26042-00)	WASHER, SPEC'L SHAP	1	
	(90209-26043-00)	WASHER, SPEC'L SHAP	2	
	(90209-26060-00)	WASHER, SPEC'L SHAP		
8	(409-17161-00-00)	GEAR, 6TH PINION	1	
9	(409-17121-02-00)	GEAR, 2ND PINION	1	
10	90201-25490-00	WASHER, PLATE	2	
11	(409-17151-02-00)	GEAR, 5TH PINION	1	
12	93440-25020-00	CIRCLIP	1	
13	93311-42517-00	BEARING, CYLINDER.# 1	1	
14	(90201-30400-00)	WASHER, PLATE	1	
	(90201-30401-00)	WASHER, PLATE	1	
15	93305-20603-00	BEARING	1	
16	93440-62032-00	CIRCLIP, OUTER	1	
17	(409-15383-00-00)	PLATE, BRNG COVER	1	
18	98580-06012-00	SCREW, PAN HEAD	3	
19	(409-17421-00-00)	AXLE, DRIVE	1	
20	(409-17429-00-00)	SPACER, DRIVE AXLE	2	
21	(409-17251-00-00)	GEAR, 5TH WHEEL	1	
22	(409-17221-00-00)	GEAR, 2ND WHEEL	1	
23	(90209-26042-00)	WASHER, SPEC'L SHAP	1	
	(90209-26043-00)	WASHER, SPEC'L SHAP	3	

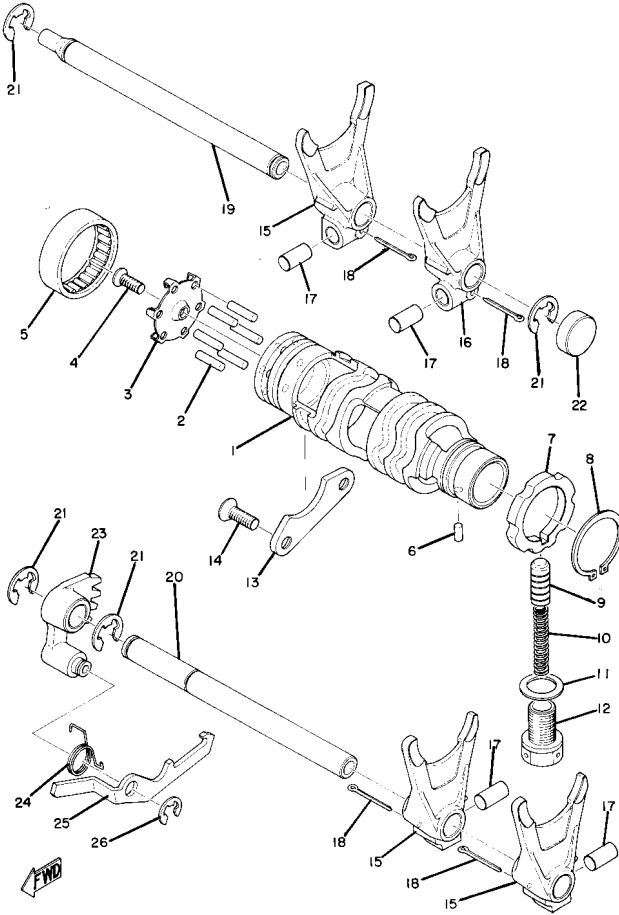
CONTINUED ON NEXT FRAME ➤

TRANSMISSION



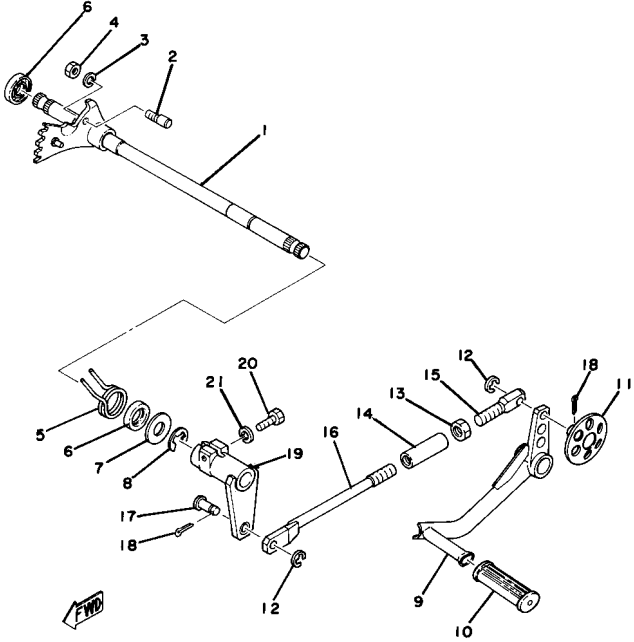
Ref. No.	Part Number	Description	Qty	Remarks
23	(90209-26060-00)	WASHER, SPEC'L SHAP	
24	(93440-30033-00)	CIRCLIP, OUTER	3	
25	(409-17261-00-00)	GEAR, 6TH WHEEL	1	
26	(409-17231-00-00)	GEAR, 3RD WHEEL	1	
27	(409-17241-00-00)	GEAR, 4TH WHEEL	1	
28	90201-256K6-00	WASHER, PLATE (0.9T)	2	
29	(93310-32590-00)	BEARING, CYLINDER.# 0	1	
30	(409-17211-00-00)	GEAR, 1ST WHEEL	1	
31	93440-25020-00	CIRCLIP	1	
32	93311-42517-00	BEARING, CYLINDER.# 1	1	
33	90338-10040-00	PLUG, SPEC'L SHAPE	1	
34	(90201-30400-00)	WASHER, PLATE	1	
	(90201-30401-00)	WASHER, PLATE	1	
35	93305-20603-00	BEARING	1	
36	93440-62032-00	CIRCLIP, OUTER	1	
37	(93102-40125-00)	OIL SEAL, SD-TYPE	1	
38	(90387-30247-00)	COLLAR	1	
39	(1X2-17461-70-00)	SPROCKET, DRIVE	1	
	(1X2-17461-80-00)	SPROCKET, DRIVE		STD
	(93855-16111-00)	SPROCKET, DRIVE	1	
40	(1X2-17464-00-00)	WASHER, LOCK	1	
41	90179-22063-00	NUT	1	
42	91609-20018-00	PIN, SPRING	1	

SHIFTER 1



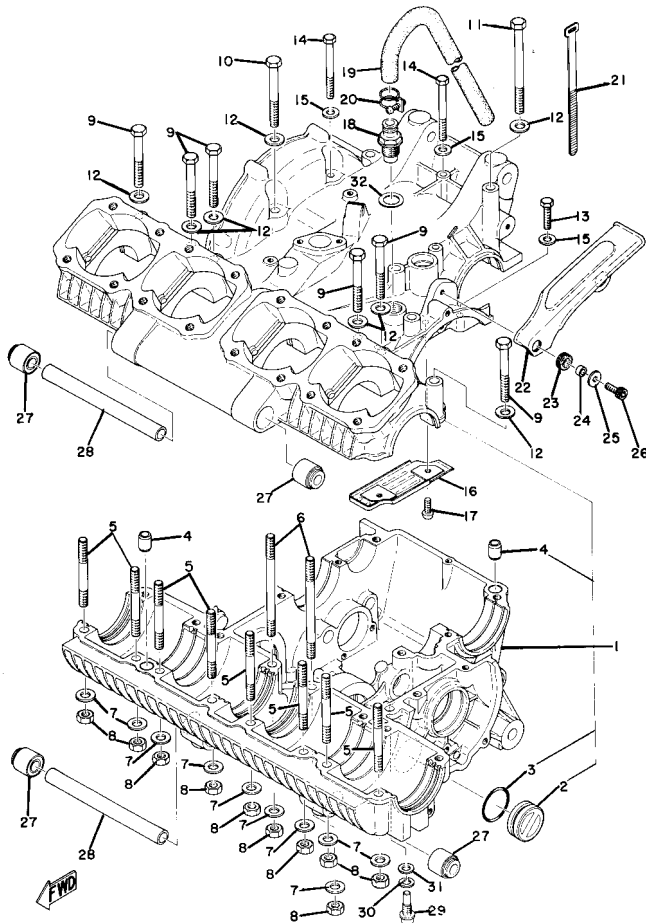
Ref. No.	Part Number	Description	Qty	Remarks
1	(409-18540-01-00)	SHIFT CAM ASSEMBLY	1	
2	93604-16092-00	. PIN, DOWEL	5	
3	(409-18561-00-00)	PLATE, SIDE 1	1	
4	98701-05012-00	. SCREW, FLAT HEAD	1	
5	93315-23612-00	. BEARING	1	
6	93604-08071-00	. PIN, DOWEL	1	
7	360-18141-01-00	PLATE, STOPPER	1	
8	99009-30400-00	CIRCLIP	1	
9	278-18547-02-00	STOPPER, CAM	1	
10	90501-10062-00	SPRING, COMPRESSION	1	
11	214-11198-01-00	GASKET	1	
12	(90149-14066-00)	SCREW, SPEC'L SHAPE	1	
13	(409-18562-00-00)	PLATE, STOPPER 2	1	
14	98701-06014-00	SCREW, FLAT HEAD	2	
15	(409-18511-00-00)	FORK, SHIFT 1	3	
16	(409-18512-02-00)	FORK, SHIFT 2	1	
17	90250-08017-00	PIN, STRAIGHT	4	
18	91401-25030-00	PIN, COTTER	4	
19	(409-18531-00-00)	BAR, SHIF FRK GDE 1	1	
20	(409-18535-00-00)	BAR, SHIF FRK GDE 2	1	
21	99006-10600-00	CIRCLIP	4	
22	90338-22030-00	PLUG, SPEC'L SHAPE (168-18149-01)	1	
23	(409-18122-00-00)	LEVER, SHIFT 2	1	
24	(90508-08009-00)	SPRING, TORSION	1	
25	(371-18151-00-00)	LEVER, SHIFT 3	1	
26	99080-07600-00	CIRCLIP (E)	1	

SHIFTER 2



Ref. No.	Part Number	Description	Qty	Remarks
1	(409-18101-01-00)	SHIFT SHAFT ASSEMBLY 1	1	
2	90149-06017-00	SCREW, SPEC'L SHAPE (214-18186-00)	1	
3	92995-06100-00	WASHER, SPRING	1	
4	95380-06600-00	NUT	1	
5	90508-32052-00	SPRING, TORSION (214-18124-00)	1	
6	93102-12321-00	OIL SEAL, SD-TYPE	2	
7	90201-12575-00	WASHER, PLATE	1	
8	99006-10600-00	CIRCLIP	1	
9	(1X2-18111-00-91)	PEDAL, SHIFT	1	
10	240-18113-00-00	COVER, SHIFT PEDAL	1	
11	(1X2-18126-00-00)	PIN, LEVER	1	
12	93430-04002-00	CIRCLIP	2	
13	95303-08700-00	NUT	1	
14	(1X2-18117-00-00)	JOINT, ROD 2	1	
15	(1X2-18116-00-00)	JOINT, ROD 1	1	
16	(1X2-18115-00-00)	ROD, SHIFT	1	
17	(1X2-18118-00-00)	PIN, JOINT	1	
18	91490-20020-00	PIN, COTTER	2	
19	1X2-18112-00-00	ARM, SHIFT	1	
20	97011-06020-00	BOLT	1	
21	92995-06100-00	WASHER, SPRING	1	

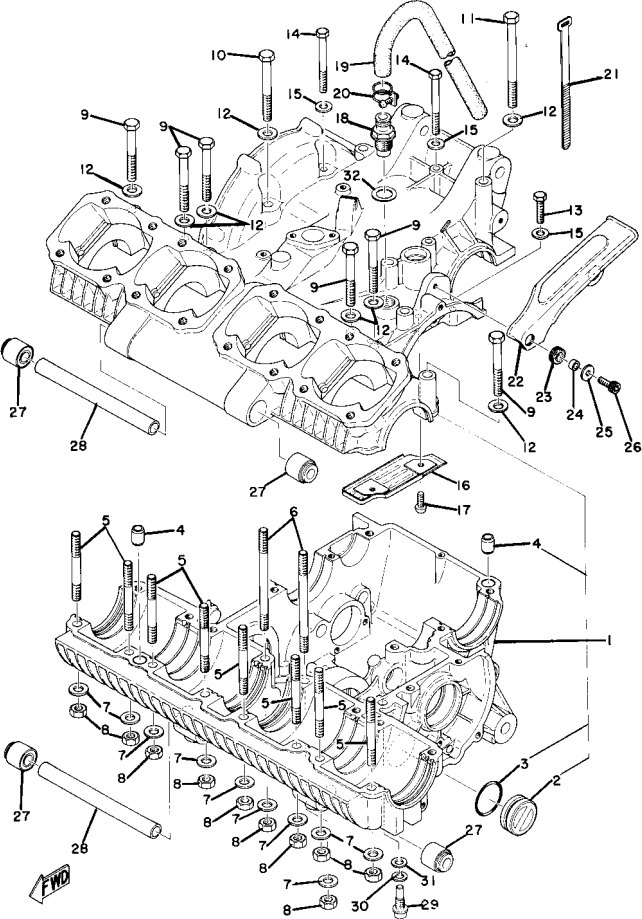
CRANKCASE



Ref. No.	Part Number	Description	Qty	Remarks
1	409-15100-01-00	CRANKCASE ASSEMBLY (1X2-15100-00)	1	
2	(90338-35019-00)	PLUG, SPEC'L SHAPE	1	
3	93210-29147-00	. O-RING	1	
4	99510-12016-00	. PIN, DOWEL	2	
5	90116-08196-00	BOLT, STUD	8	
6	90116-08232-00	BOLT, STUD	2	
7	92990-08200-00	WASHER, PLAIN	10	
8	95333-08600-00	NUT	10	
9	97013-08060-00	BOLT (663)	7	
10	97021-08070-00	BOLT	3	
11	97022-08100-00	BOLT	1	
12	92990-08200-00	WASHER, PLAIN	11	
13	97013-06035-00	BOLT	1	
14	97313-06065-00	BOLT, HEXAGON	3	
15	92990-06200-00	WASHER	4	
16	(409-11165-01-00)	PLATE, BREATHER	1	
17	98580-06010-00	SCREW, PAN HEAD (92503-06010)	2	
18	(409-15371-01-00)	BREATHER	1	
19	(90445-16202-00)	HOSE	1	
20	(90460-16072-00)	CLAMP, HOSE	1	
21	437-83936-11-00	BAND, SWITCH CORD	2	
22	(409-15418-01-00)	COVER, CHAIN CASE	1	
23	90480-12096-00	GROMMET (141-82596-00)	2	
24	90560-05001-00	SPACER	2	
25	90201-06M08-00	WASHER, PLATE	2	
26	91316-05010-00	BOLT, SOCKET HEAD	2	
27	3XV-15316-10-00	DAMPER, ENG MOUNT 1	4	

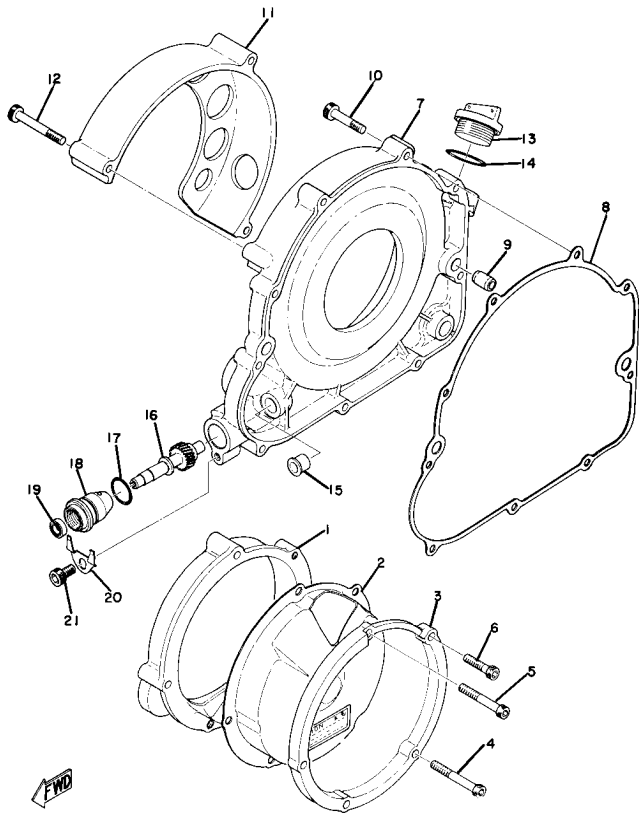
CONTINUED ON NEXT FRAME ►

CRANKCASE



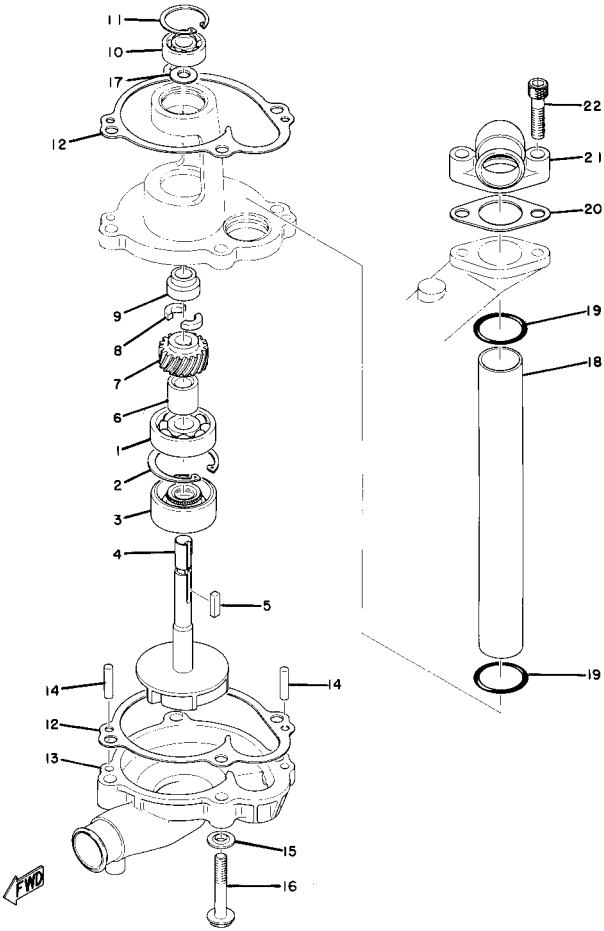
Ref. No.	Part Number	Description	Qty	Remarks
28	(90560-11134-00)	SPACER	2	
29	(90109-08259-00)	BOLT	1	
30	92990-08100-00	WASHER	1	
31	92901-08600-00	WASHER	1	
32	90430-16068-00	GASKET	1	

CRANKCASE COVER - TACHOMETER GEAR



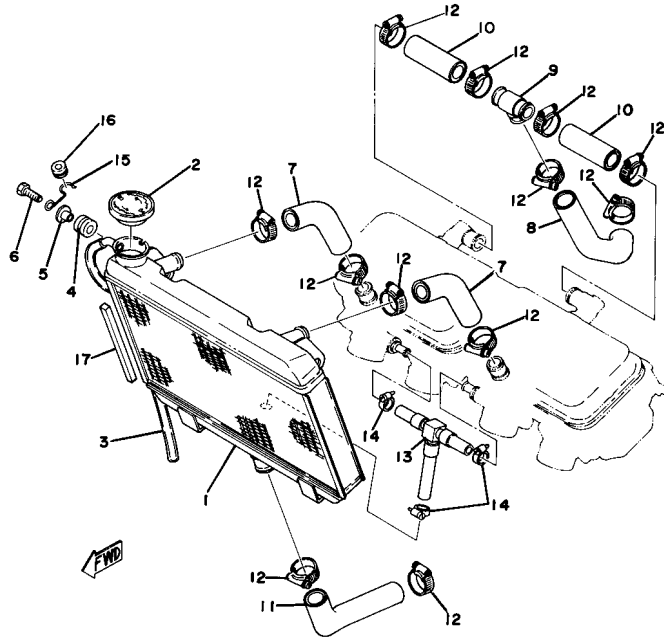
Ref. No.	Part Number	Description	Qty	Remarks
1	(1X2-15415-00-00)	COVER, GENERATOR	1	
2	(1X2-15455-00-00)	GASKET 1	1	
3	(1X2-15378-00-00)	HOLDER	1	
4	91316-06045-00	BOLT, SOCKET HEAD	2	
5	91316-06040-00	BOLT, SOCKET HEAD	1	
6	91316-06025-00	BOLT	2	
7	(409-15421-01-00)	COVER, CRANKCASE R	1	
8	409-15461-00-00	GASKET, CRCS CVR 2	1	
9	99530-10014-00	PIN, DOWEL	2	
10	90110-06138-00	BOLT, HEX SKT HEAD	9	
11	(409-15417-00-00)	COVER, CAP	1	
12	91316-06045-00	BOLT, SOCKET HEAD	3	
13	409-15363-01-00	PLUG, OIL LEVEL (4FM-15362-00-00)	1	
14	93210-27778-00	O-RING	1	
15	90381-08002-00	BUSHING (214-17843-00)	1	
16	(409-17841-00-00)	GEAR, DRIVEN	1	
17	93210-16314-00	O-RING	1	
18	438-17811-01-00	HOUSING, TACH GEAR	1	
19	93104-07036-00	OIL SEAL, SO-TYPE	1	
20	438-17812-00-00	STOPPER	1	
21	91316-06012-00	BOLT, SOCKET HEAD	1	

WATER PUMP

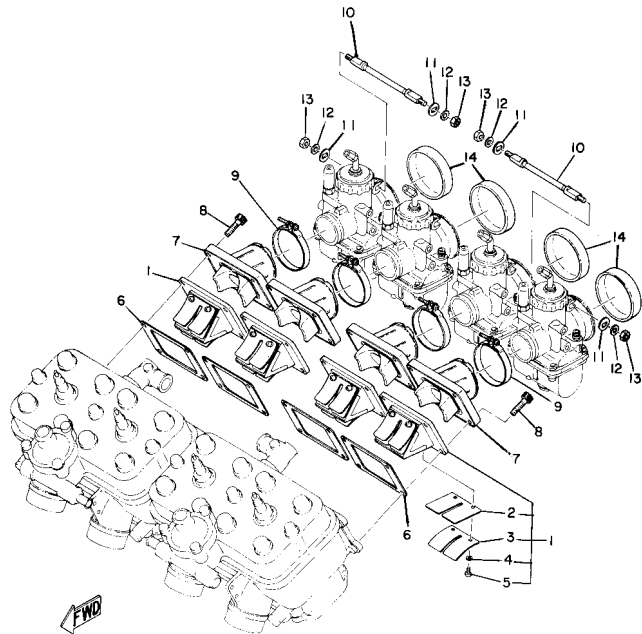


Ref. No.	Part Number	Description	Qty	Remarks
1	93306-20005-00	. BEARING (B6200)	1	
2	99009-32500-00	. CIRCLIP	1	
3	93103-10168-00	. OIL SEAL	1	
4	(409-12450-02-00)	IMPELLER SHAFT ASSEMBLY	1	
5	(90282-03012-00)	KEY, STRAIGHT	1	
6	(90387-08267-00)	COLLAR	1	
7	(409-12459-02-00)	GEAR, IMPELLER SHAF	1	
8	(383-12424-00-00)	PLATE, CRTRGE INNER	2	
9	(383-12423-00-00)	CARTRIDGE, WTR PUMP	1	
10	93300-60814-00	. BEARING (608M4ML01)	1	
11	93420-22026-00	. CIRCLIP, R-TYPE	1	
12	409-12427-00-00	. GASKET, HSNG CVR 1	2	
13	(409-12422-00-00)	COVER, HOUSING	1	
14	93604-18058-00	PIN, DOWEL	2	
15	90210-06006-00	WASHER, SEAL	4	
16	95816-08035-00	BOLT, FLANGE	4	
17	90201-08624-00	WASHER, PLATE	1	
18	(90440-20002-00)	TUBE, STRUCTURE	1	
19	93210-20256-00	O-RING	2	
20	409-15457-00-00	GASKET	1	
21	(409-12479-03-00)	JOINT	1	
22	91316-06025-00	BOLT	2	
-1	(409-12420-02-00)	WATER PUMP ASSEMBLY	1	

RADIATOR



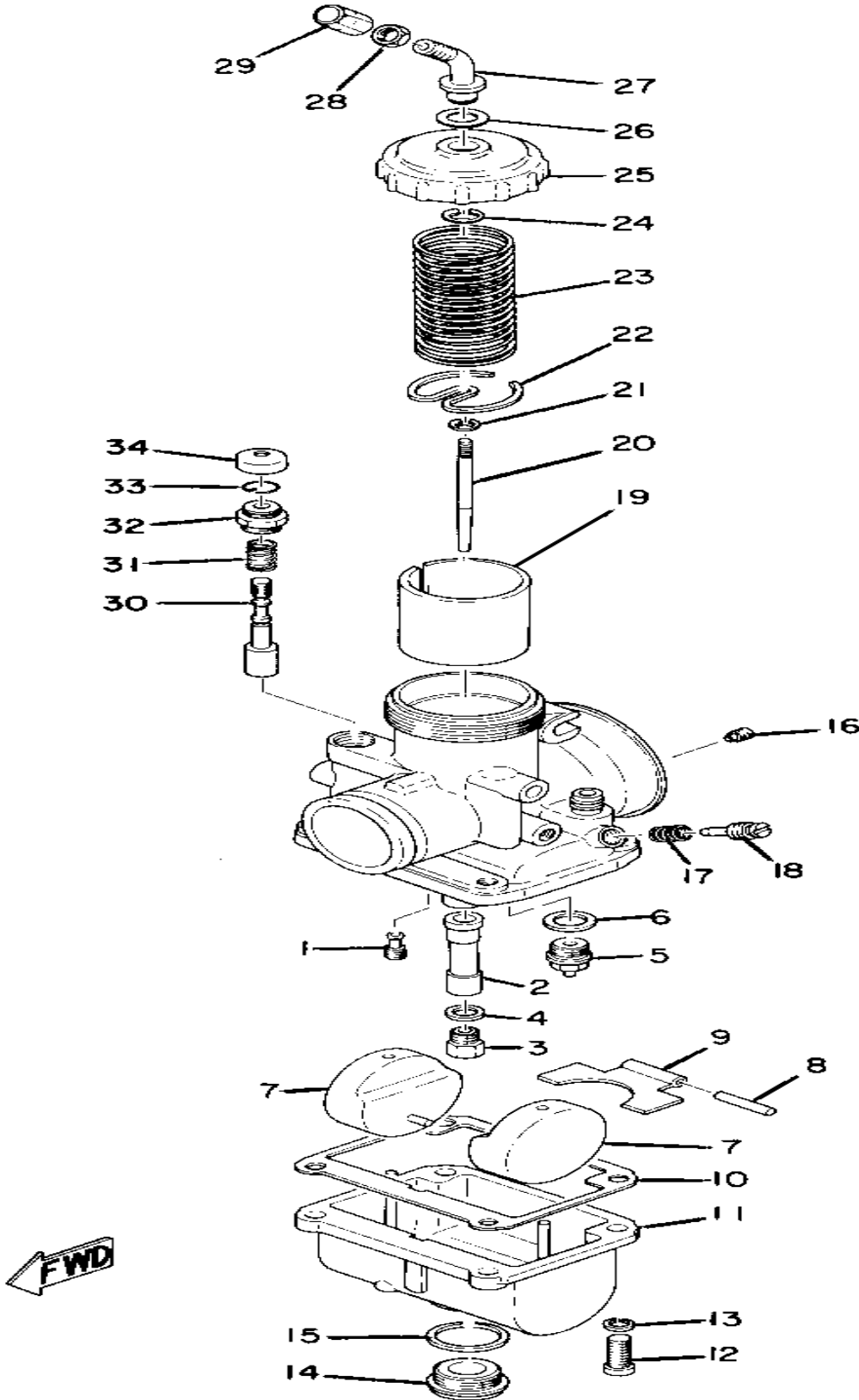
Ref. No.	Part Number	Description	Qty	Remarks
1	(1X2-12460-00-00)	RADIATOR ASSEMBLY	1	
2	11H-12462-00-00	. CAP, RADIATOR	1	
3	(383-12463-00-00)	PIPE, BREATHER	1	
4	1X2-12465-00-00	DAMPER, RADIATOR	4	
5	90387-06615-00	COLLAR	4	
6	90101-06288-00	BOLT	4	
7	(409-12481-00-00)	PIPE 1	2	
8	(409-12485-00-00)	PIPE 5	1	
9	(409-12498-00-00)	JOINT	1	
10	(409-12476-00-00)	PIPE 6	2	
11	(409-12477-00-00)	PIPE 7	1	
12	90460-38292-00	CLAMP, HOSE	12	
13	(409-12482-01-00)	PIPE 2	1	
14	(90460-16122-00)	CLAMP, HOSE	3	
15	(90462-20002-00)	CLAMP	1	
16	90480-10178-00	GROMMET	1	
17	1X2-28372-00-00	DAMPER (55X-21541-00)	2	



INTAKE

Ref. No.	Part Number	Description	Qty	Remarks
1	10V-13610-01-00	REED VALVE ASSEMBLY (885-13610-00)	4	
2	10V-13613-01-00	. REED, VALVE (1L8-13613-00)	8	
3	1UA-13616-00-00	. STOPPER REED VALVE VALVE (10V-13616-01)	8	
4	92990-03100-00	. WASHER, SPRING (92901-03100)	16	
5	98580-03008-00	. SCREW, PAN HEAD	16	
6	3TT-13621-00-00	GASKET, VALVE SEAT	4	
7	409-13565-00-00	JOINT, CARBURETOR	4	
8	91316-06025-00	BOLT	16	
9	90460-49058-00	CLAMP, HOSE	4	
10	90460-49058-00	CLAMP, HOSE	2	
11	90209-10033-00	NO LONGER AVAILABLE (328-14475-00)	4	
12	92990-06200-00	WASHER	4	
13	95380-06600-00	NUT	4	
14	240-14157-00-00	COVER, MIXING	4	

CARBURETOR

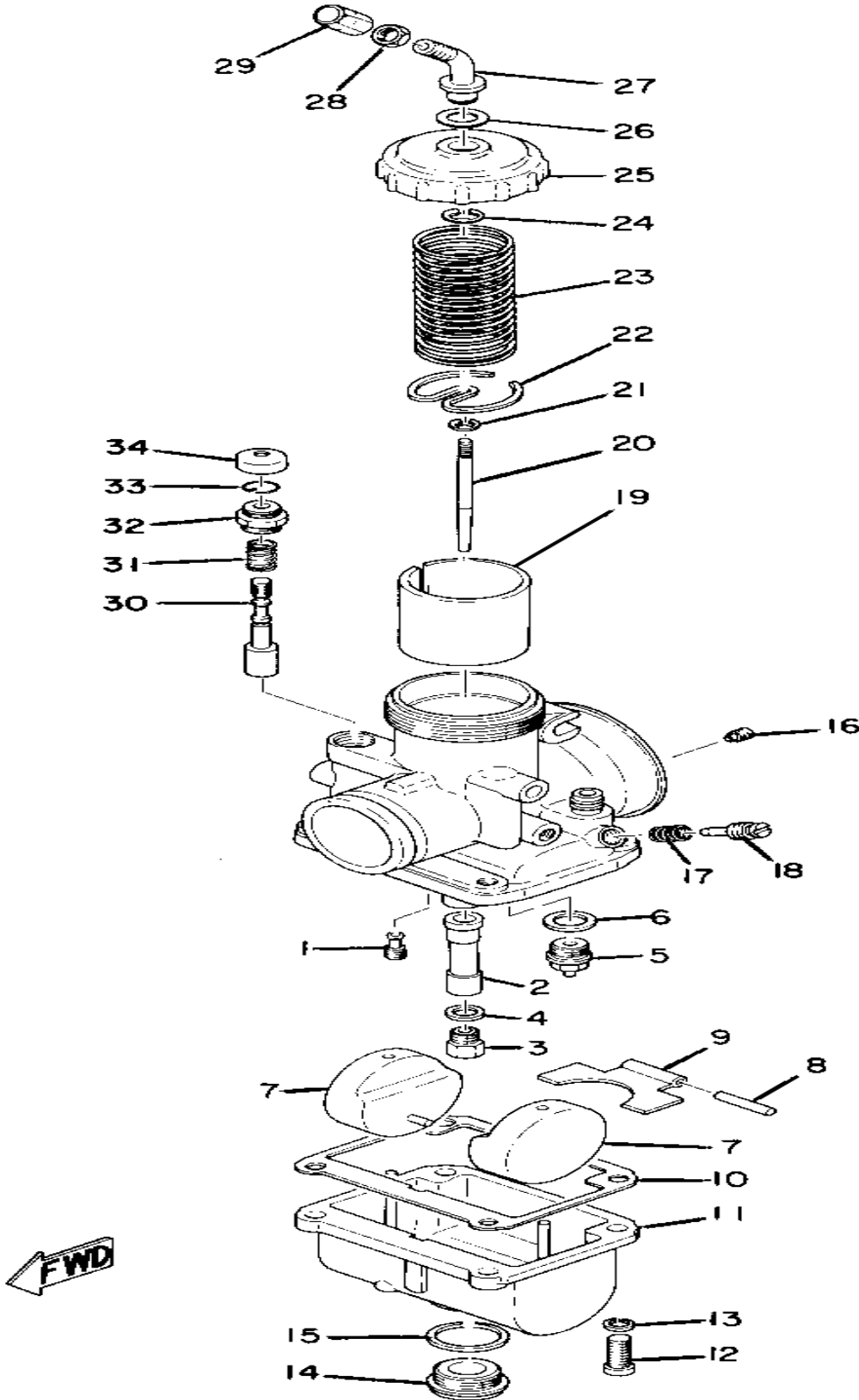


Ref. No.	Part Number	Description	Qty	Remarks
1	193-14142-70-00	. JET, PILOT (# 70)	4	
2	(239-14141-34-00)	NOZZLE, MAIN	4	
3	137-14143-62-A1	. JET, MAIN (#310)		
	137-14143-64-00	. JET, MAIN (#320)	1	
	137-14143-66-A1	. JET MAIN, (# 330)	4	STD
	137-14143-68-00	. JET, MAIN (#340)	4	
	137-14143-70-00	. JET, MAIN (#350)		
4	137-14153-00-00	. WASHER, MAIN JET	4	
5	24X-14107-33-00	NEEDLE VALVE SET (#3.3)	4	
6	239-14195-00-00	. WASHER, NEEDLE VALVE	4	
7	310-14185-00-00	. FLOAT	8	
8	127-14186-00-00	. PIN, FLOAT	4	
9	(239-14187-00-00)	ARM, FLOAT	4	
10	483-14184-00-00	. GASKET, FLOAT CHMBR	4	
11	(239-14181-00-00)	BODY, FLOAT CHMBR 1	4	
12	98580-05016-00	. SCREW, PAN HEAD	16	
13	92990-05100-00	. WASHER, SPRING	16	
14	(239-14115-00-00)	PLUG, SCREW	4	
15	239-14117-00-00	. WASHER, PLUG SCREWSCREW	4	
16	239-14172-20-00	. PILOT JET, AIR (2.0)	4	
17	127-14134-00-00	. SPRING, AIR ADJUSTING	4	
18	23X-14104-00-00	. AIR SCREW SET	4	
19	(328-14112-20-00)	VALVE, THROTTLE 1	4	
20	(239-14116-07-00)	NEEDLE	4	
21	164-14137-00-00	. CLIP	4	
22	239-14136-00-00	. SEAT, SPRING	4	
23	(409-14131-00-00)	SPRING, THRTL VALVE	4	
24	363-14137-00-00	. CLIP	4	

CONTINUED ON NEXT FRAME ►

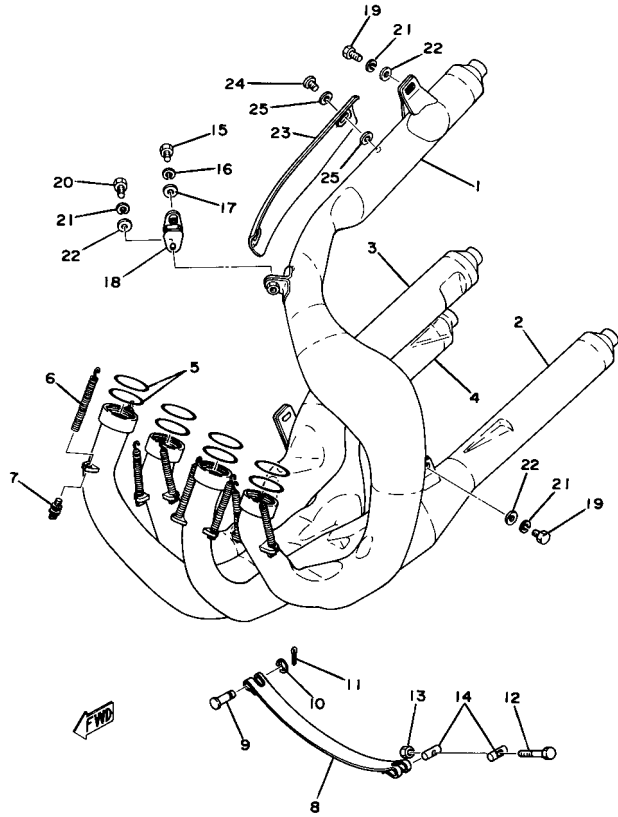
← FWD

CARBURETOR

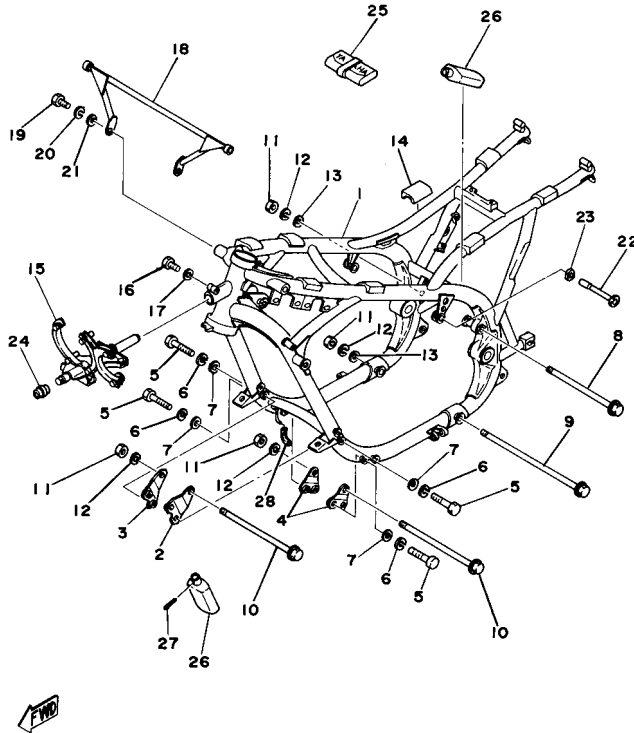


Ref. No.	Part Number	Description	Qty	Remarks
25	(409-14158-00-00)	TOP, MIXING CHAMBER	4	
26	363-14198-00-00	. GASKET	4	
27	363-14155-00-00	. GUIDE, CABLE	4	
28	127-14161-00-00	. NUT, CABLE ADJUSTING	4	
29	17L-14106-00-00	. CABLE ADJUST SCREW SET	4	
30	(1G8-14171-00-00)	PLUNGER, STARTER	4	
31	156-14135-00-00	. SPRING, PLUNGER	4	
32	152-14174-00-00	. CAP, PLUNGER	4	
33	353-14138-00-00	. CLIP, PLUNGER	4	
34	637-14173-00-00	. COVER, PLUNGER CAP	4	
-1	(1X2-14101-00-00)	CARBURETOR ASSEMBLY 1	4	

EXHAUST



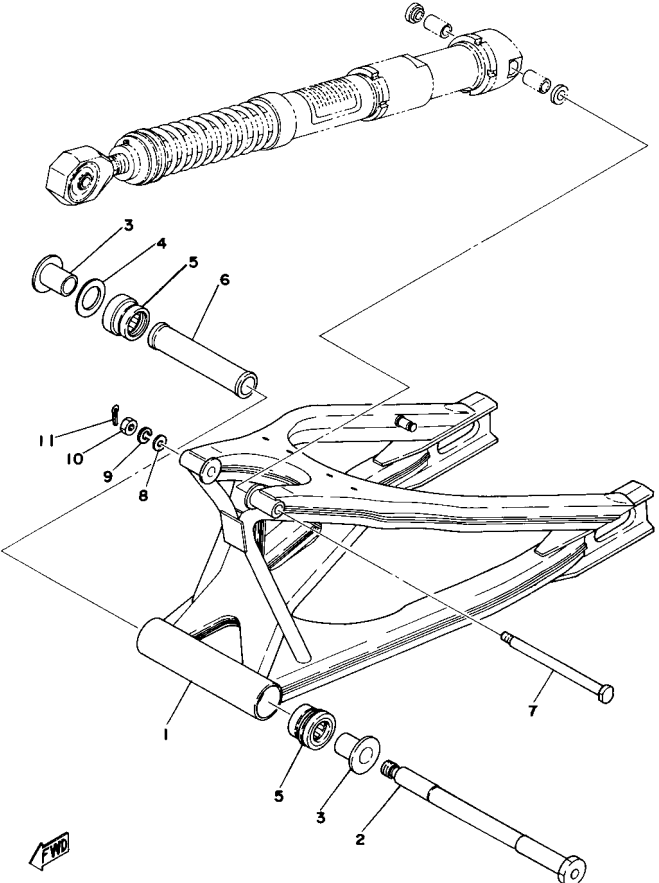
Ref. No.	Part Number	Description	Qty	Remarks
1	(1X2-14611-00-00)	PIPE, EXHAUST L	1	
2	(1X2-14621-00-00)	PIPE, EXHAUST R	1	
3	(1X2-14631-00-00)	PIPE, EXHAUST 3	1	
4	(1X2-14641-00-00)	PIPE, EXHAUST 4	1	
5	93210-48208-00	O-RING	8	
6	90507-20013-00	SPRING, TENSION (409-14683-00)	8	
7	409-14684-00-00	BOLT, HOOK	8	
8	(1X2-14715-00-00)	BAND, MUFFLER	1	
9	(1X2-27237-00-00)	PIN, CLEVIS		
10	93430-08007-00	CIRCLIP	1	
11	91490-20020-00	PIN, COTTER	1	
12	(90101-08299-00)	BOLT	1	
13	95333-08600-00	NUT	2	
14	(1X2-27234-00-00)	PIN, BRAKE ROD	2	
15	97011-06020-00	BOLT	1	
16	92995-06100-00	WASHER, SPRING	1	
17	92990-06200-00	WASHER	1	
18	565-14771-00-00	STAY, MUFFLER 1	1	
19	97313-08020-00	BOLT, HEXAGON	3	
20	97313-08016-00	BOLT, HEXAGON	1	
21	92990-08100-00	WASHER	4	
22	92901-08600-00	WASHER	4	
23	(1X2-14718-00-00)	PROTECTOR, MUFF 1	1	
24	98903-06010-00	SCREW, BIND	2	
25	90202-05187-00	WASHER, PLATE	4	



FRAME

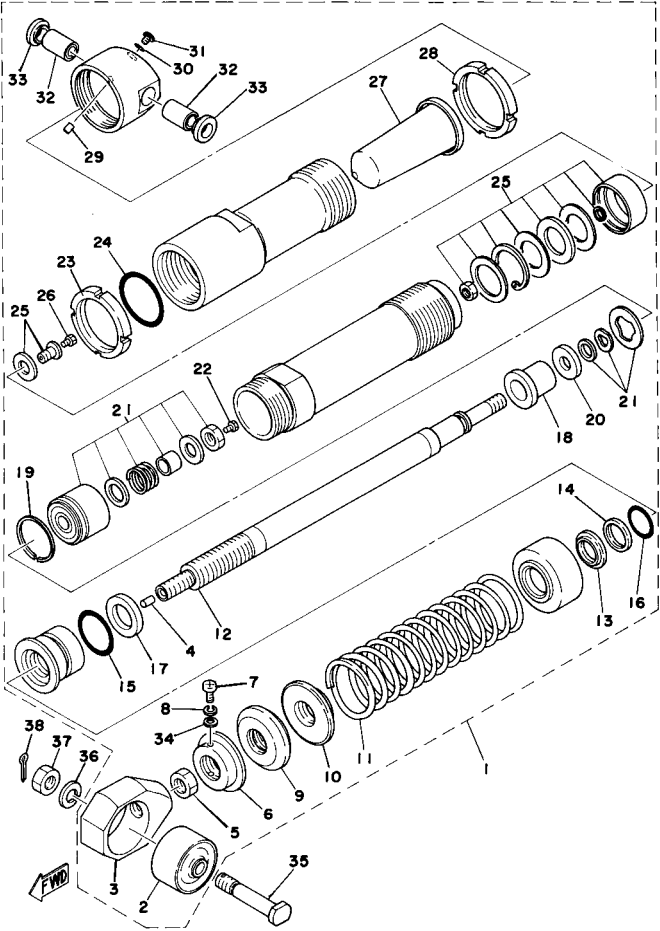
Ref. No.	Part Number	Description	Qty	Remarks
1	(1X2-21110-00-33)	FRAME	1	YAMAHA BLACK
2	(1X2-21411-01-00)	BRACKET, ENGINE 1	1	
3	(1X2-21419-01-00)	BRACKET, ENGINE 2	1	
4	(1X2-21429-01-00)	BRACKET, ENGINE 3	2	
5	97321-08055-00	BOLT, HEXAGON	8	
6	92990-08100-00	WASHER	8	
7	92901-08600-00	WASHER	8	
8	(1X2-21481-01-00)	BOLT, ENG MNTNG 1	1	M10-200L
9	(1X2-21482-01-00)	BOLT, ENG MNTNG 2	1	M10-293L
10	(1X2-21483-01-00)	BOLT, ENG MNTNG 3	2	M10-217L
11	95303-10700-00	NUT	4	
12	92901-10100-00	WASHER, SPRING	4	
	92990-10100-00	WASHER, SPRING	4	
13	92990-10600-00	WASHER, PLATE	2	
14	240-24181-00-00	DAMPER, LOCATING 1	8	
15	(1X2-28356-00-00)	STAY 1	1	
16	97313-08020-00	BOLT, HEXAGON	1	
17	92990-08100-00	WASHER	1	
18	(1X2-28357-00-00)	STAY 2	1	
19	97011-06020-00	BOLT	2	
20	92995-06100-00	WASHER, SPRING	2	
21	92901-06600-00	WASHER	2	
22	(1X2-28358-00-00)	STAY 3	2	
23	(1X2-28362-00-00)	NUT	2	
24	240-28371-00-33	DAMPER	1	YAMAHA BLACK
25	(1X2-28116-00-00)	TOOL, SPECIAL	1	
26	(1X2-21751-00-00)	TANK, OIL	2	
27	91490-20025-00	PIN, SPLIT	1	
28	90445-09057-00	HOSE	1	

REAR ARM



Ref. No.	Part Number	Description	Qty	Remarks
1	(1X2-22110-00-33)	REAR ARM	1	YAMAHA BLACK
2	(1X2-22141-00-00)	SHAFT, PIVOT	1	
3	1X2-22123-00-00	BUSH 1	2	
4	(1X2-22127-20-00)	SHIM	1	
5	(1X2-22176-00-00)	BEARING	2	
6	(1X2-22126-00-00)	COLLAR, DISTANCE	1	
7	(1X2-22241-01-00)	BOLT 1	1	
8	90201-08107-00	WASHER, PLATE	1	
9	92990-08100-00	WASHER	1	
10	95303-08700-00	NUT	1	
11	91490-20020-00	PIN, COTTER	1	

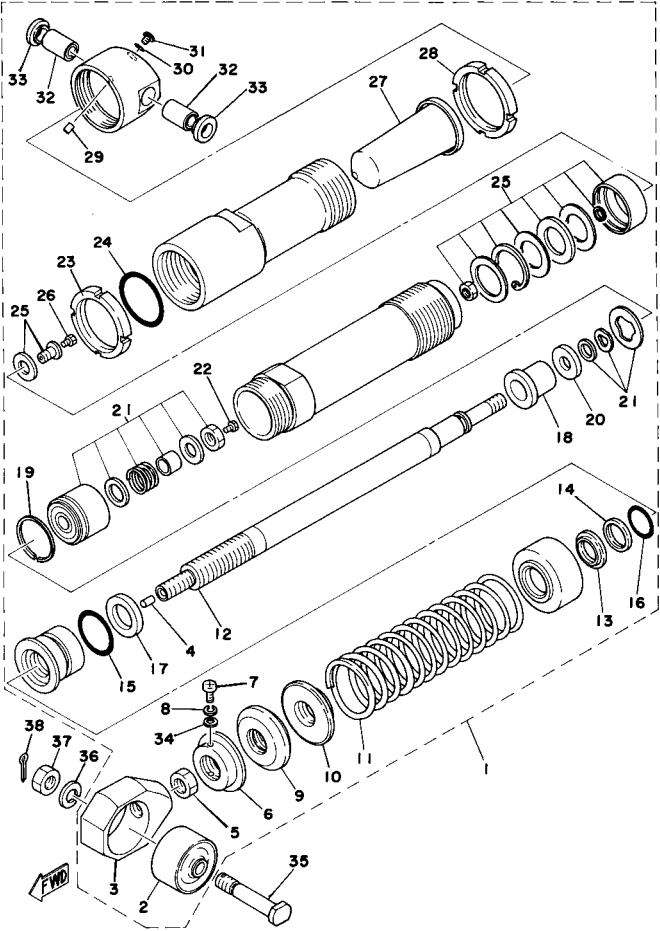
REAR CUSHION



Ref. No.	Part Number	Description	Qty	Remarks
1	(1X2-22210-00-00)	SHK/ABS ASSEMBLY, REAR	1	
2	(1X2-22483-00-00)	DAMPER 1	1	
3	(1X2-22219-00-00)	BRACKET, UPPER	1	
4	483-22419-01-00	. VALVE, RUBBER	1	
5	95301-14700-00	. NUT	1	
6	(1X2-22223-00-00)	SEAT, SPRING LOWER	1	
7	98580-05010-00	. SCREW, PAN HEAD	1	
8	92990-05100-00	. WASHER, SPRING	1	
9	483-22492-01-00	. DAMPER 2	1	
10	(509-22213-01-00)	SEAT, SPRING UPPER	1	
11	(1X2-22212-00-00)	SPRING	1	
12	(1X2-22481-00-00)	ROD, PISTON	1	
13	93102-22141-00	. OIL SEAL, SD-TYPE (SD-22-30-5.5)	1	
14	(93104-22052-00)	OIL SEAL, SO-TYPE	1	
15	93210-31264-00	. O-RING	1	
16	93210-22265-00	. O-RING (3.5-21.7)	1	
17	(483-22483-02-00)	DAMPER 1	1	
18	(483-22482-01-00)	STOPPER	1	
19	(1X2-22437-00-00)	RING, SHK/ABS PSTN	1	
20	(90201-12525-00)	WASHER, PLATE	1	
21	(1X2-22405-00-00)	VALVE SUB ASSEMBLY, BTM	1	
22	(1X2-22447-00-00)	NEEDLE, VALVE	1	
23	(1X2-22215-00-00)	RING, COVER	1	
24	93210-42263-00	. O-RING (3.5-41.7)	1	
25	(1X2-22406-00-00)	SPRING SEAT SB/ASSEMBLY	1	
26	(1X2-22447-50-00)	NEEDLE, VALVE	1	
27	(1X2-22413-00-00)	MEMBRANE	1	
28	(1X2-22215-20-00)	RING, COVER	1	

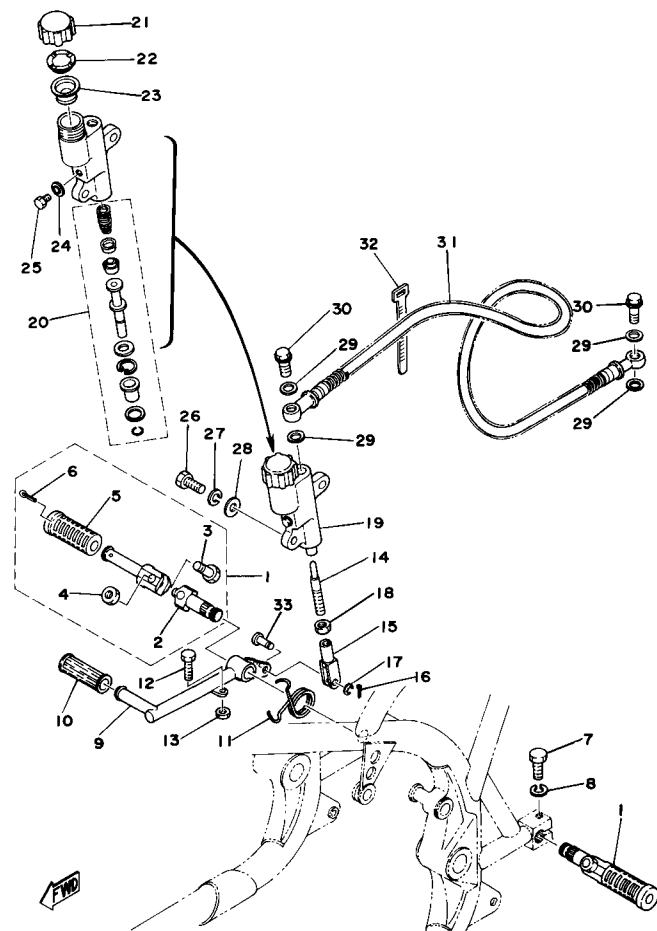
CONTINUED ON NEXT FRAME ►

REAR CUSHION



Ref. No.	Part Number	Description	Qty	Remarks
29	483-22419-01-00	. VALVE, RUBBER	1	
30	93210-06632-00	. O-RING	1	
31	98901-06008-00	. SCREW, BIND	1	
32	(90382-12019-00)	BUSH, BIMETAL SOLID	2	
33	(1X2-22128-00-00)	COVER, THRUST 1	2	
34	92901-05600-00	. WASHER, PLATE	1	
35	(1X2-22242-01-00)	BOLT 2	1	
36	92901-12100-00	WASHER, SPRING	1	
37	95301-12700-00	NUT (95302-12700)	1	
38	91490-20025-00	PIN, SPLIT	1	

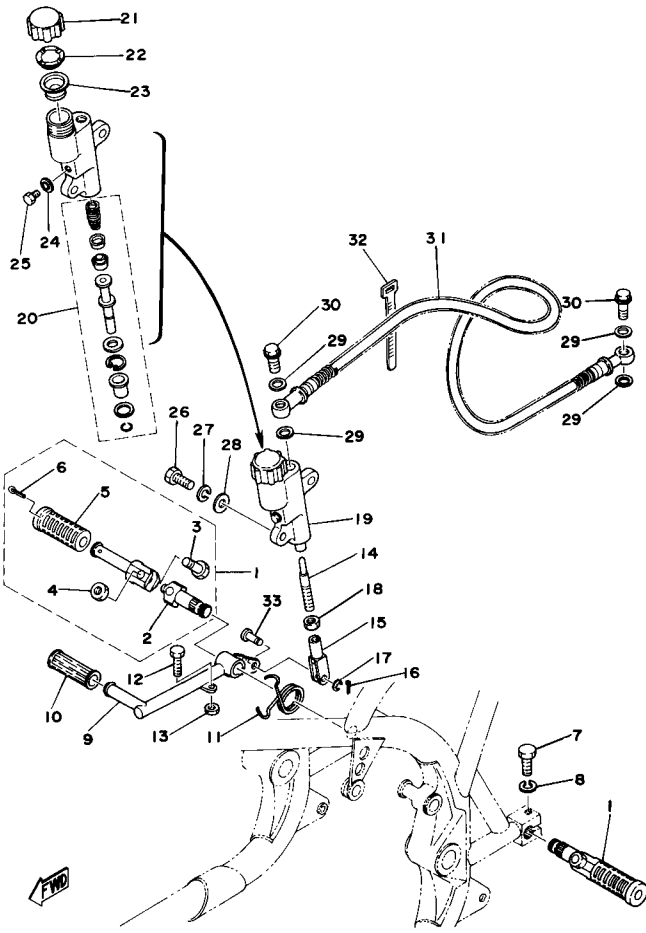
BRAKE PEDAL - REAR MASTER CYLINDER



Ref. No.	Part Number	Description	Qty	Remarks
1	(1X2-27410-01-00)	FRT FOOTREST ASSEMBLY L	2	
2	(1X2-27412-01-00)	BRACKET, FOOTREST 1	2	
3	(90109-08372-00)	BOLT	2	
4	95303-08700-00	. NUT	2	
5	1X2-27413-00-00	. COVER, FOOTREST	2	
6	91401-30030-00	. PIN, COTTER	2	
7	97301-08022-00	BOLT, HEXAGON	2	
8	92990-08100-00	WASHER	2	
9	(1X2-27211-01-00)	PEDAL, BRAKE	1	
10	240-18113-00-00	COVER, SHIFT PEDAL	1	
11	(1X2-27216-00-00)	SPRING, BRAKE PEDAL	1	
12	97001-06018-00	BOLT	1	
13	95380-06700-00	NUT	1	
14	(1X2-27231-00-00)	ROD, BRAKE	1	
15	(409-27222-00-00)	JOINT	1	
16	91490-20020-00	PIN, COTTER	1	
17	99009-06600-00	CIRCLIP	1	
18	95303-08700-00	NUT	1	
19	(1X2-25850-50-00)	MSTR CYLINDER ASSEMBLY	1	
20	1X2-W0042-01-00	. CYLINDER KIT, MASTER	1	
21	(1X2-25852-50-00)	CAP, RESERVOIR	1	
22	(1X2-25855-50-00)	BUSH, DIAPHRAGM	1	
23	(1X2-25854-50-00)	DIAPHRAGM RESERVOIR	1	
24	(1X2-25878-00-00)	WASHER, OIL BOLT	2	
25	98501-05008-00	. SCREW, PAN HEAD	2	
	98580-05010-00	. SCREW, PAN HEAD	2	
26	97313-08020-00	BOLT, HEXAGON	2	
27	92990-08100-00	WASHER	2	
28	92901-08600-00	WASHER	2	

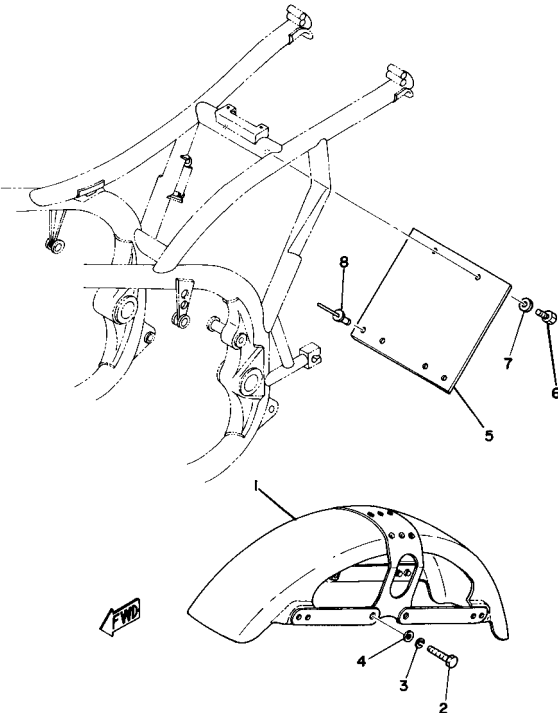
CONTINUED ON NEXT FRAME ➤

BRAKE PEDAL - REAR MASTER CYLINDER



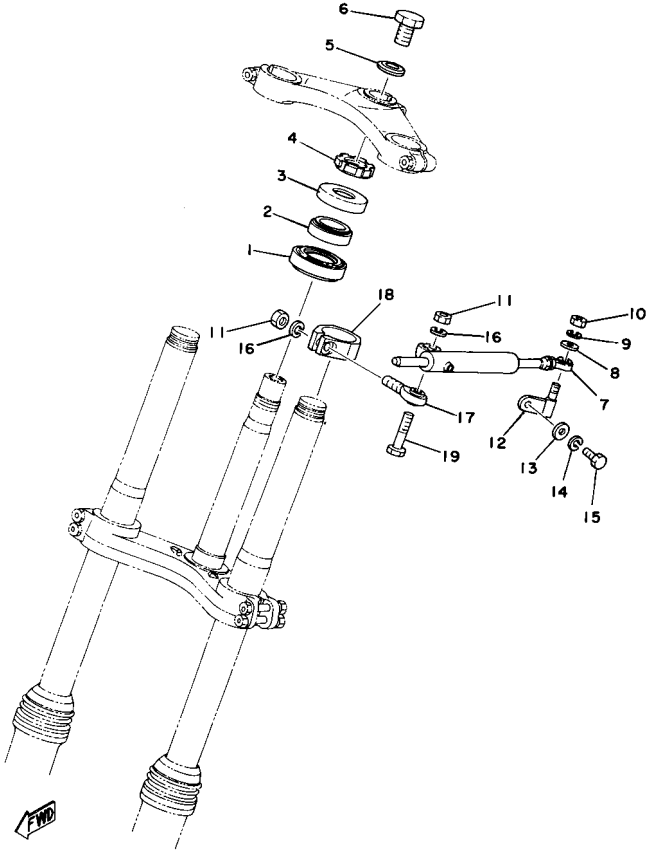
Ref. No.	Part Number	Description	Qty	Remarks
29	90201-10118-00	WASHER, PLATE	4	
30	(1X2-25877-00-00)	BOLT, OIL 1	2	
31	(409-25872-54-00)	HOSE, BRAKE 1	1	
32	341-26397-01-00	BAND	2	
33	(90249-08085-00)	PIN, SPEC'L SHAPE	1	

FRONT FENDER - REAR FENDER



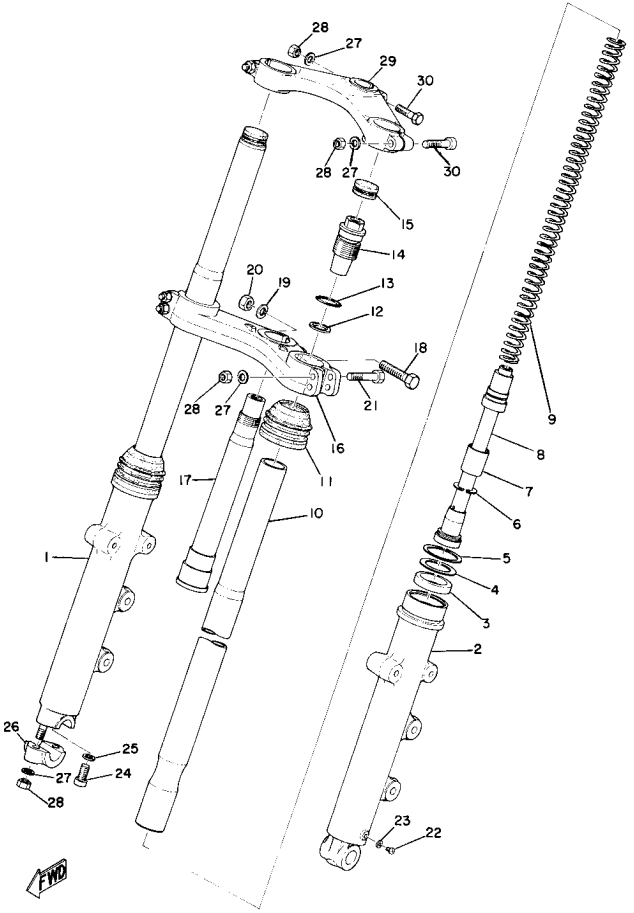
Ref. No.	Part Number	Description	Qty	Remarks
1	(1X2-21510-00-E1)	FENDER, FRONT	1	CHAPPY RED
2	97313-06055-00	BOLT, HEXAGON (97322-06055)	4	
3	92995-06100-00	WASHER, SPRING	4	
4	92901-06600-00	WASHER	4	
5	(1X2-21611-00-00)	FENDER, REAR	1	
6	(1X2-21631-00-00)	BOLT 1	2	
7	90201-062G3-00	WASHER, PLATE	2	
8	90267-48086-00	RIVET, BLIND	4	

STEERING



Ref. No.	Part Number	Description	Qty	Remarks
1	93332-00002-00	BEARING, TAPRD # 2	1	
2	93332-00001-00	BEARING	1	
3	136-23415-00-00	COVER, BALL RACE 1	1	
4	90179-25033-00	NUT	1	
5	90209-14022-00	WASHER, SPEC'L SHAP (214-23443-00)	1	
6	90109-14235-00	BOLT (322-23451-00)	1	
7	(1X2-23490-00-00)	HDLBR SMY DMPR ASSEMBLY	1	
8	92901-06600-00	WASHER	1	
9	92995-06100-00	WASHER, SPRING	1	
10	95380-06700-00	NUT	1	
11	95303-08700-00	NUT	2	
12	(1X2-23494-00-00)	PIECE, DISTANCE	1	
13	92901-06600-00	WASHER	1	
14	92995-06100-00	WASHER, SPRING	1	
15	97011-06020-00	BOLT	1	
16	92990-08100-00	WASHER	2	
17	(1X2-23491-01-00)	JOINT	1	
18	(1X2-23495-00-00)	STAY, DAMPER	1	
19	97313-08040-00	BOLT, HEXAGON (97322-08040)	1	

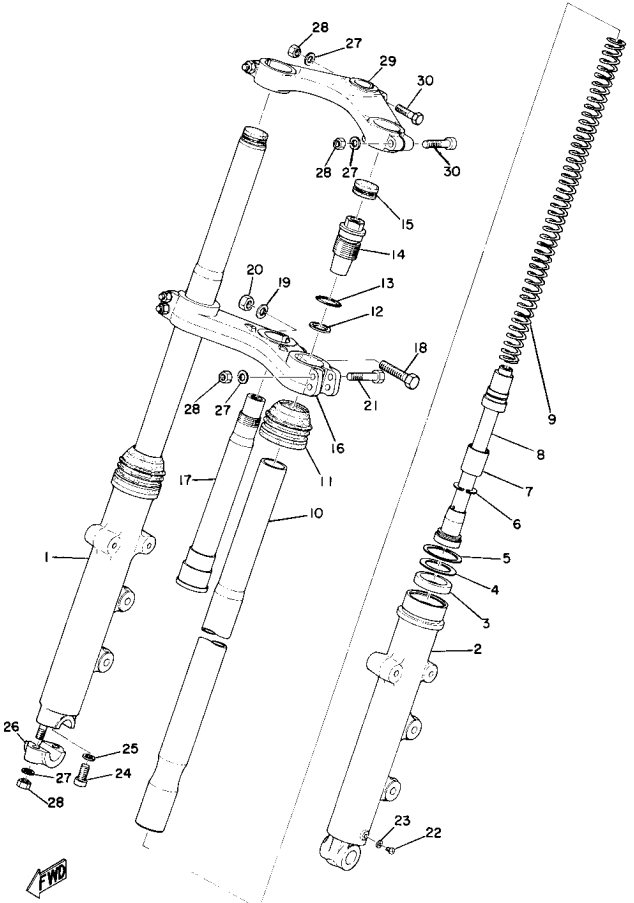
FRONT FORK



Ref. No.	Part Number	Description	Qty	Remarks
1	(409-23126-00-00)	TUBE, OUTER 1	1	
2	(409-23136-00-00)	TUBE, OUTER 2	1	
3	341-23145-51-00	.. OIL SEAL	2	
4	341-23146-50-00	.. WASHER, OIL SEAL	2	
5	341-23156-50-00	.. CLIP, OIL SEAL	2	
6	93450-30033-00	. CIRCLIP, INNER	2	
7	(434-23171-00-00)	PISTON, FRONT FORK	2	
8	(409-23170-01-00)	CYLINDER, FRTFRK	2	
9	(409-23141-00-00)	SPRING, FRONT FORK	2	
10	(409-23124-01-00)	TUBE, INNER 1	2	
11	341-23144-50-00	. SEAL, DUST	2	
12	2F0-23149-00-00	. WASHER, SPRING UPR	2	
13	214-23114-00-00	. GASKET	2	
14	(409-23111-00-00)	BOLT, CAP	2	
15	(409-23168-00-00)	CAP, FRONT FORK	2	
16	(409-23340-01-00)	UNDER BRACKET	1	
17	(409-23341-00-00)	SHAFT, STEERING	1	
18	(322-23356-00-00)	BOLT 2	1	
19	92901-10100-00	. WASHER, SPRING	1	
	92990-10100-00	. WASHER, SPRING	1	
20	(322-23357-00-00)	NUT	1	
21	5F7-23346-00-00	. BOLT 1	4	
22	4H7-23119-00-00	. PLUG, DRAIN - (122-23119-01)	2	
	98580-04008-00	. SCREW, PAN HEAD	2	
23	122-23129-00-00	. GASKET, DRAIN PLUG	2	
24	(278-23181-L0-00)	BOLT, HEX SCKT HEAD	2	
25	509-23158-L0-00	. GASKET	2	
26	341-23167-50-00	. HOLDER, AXLE	1	
27	92901-08600-00	. WASHER	9	

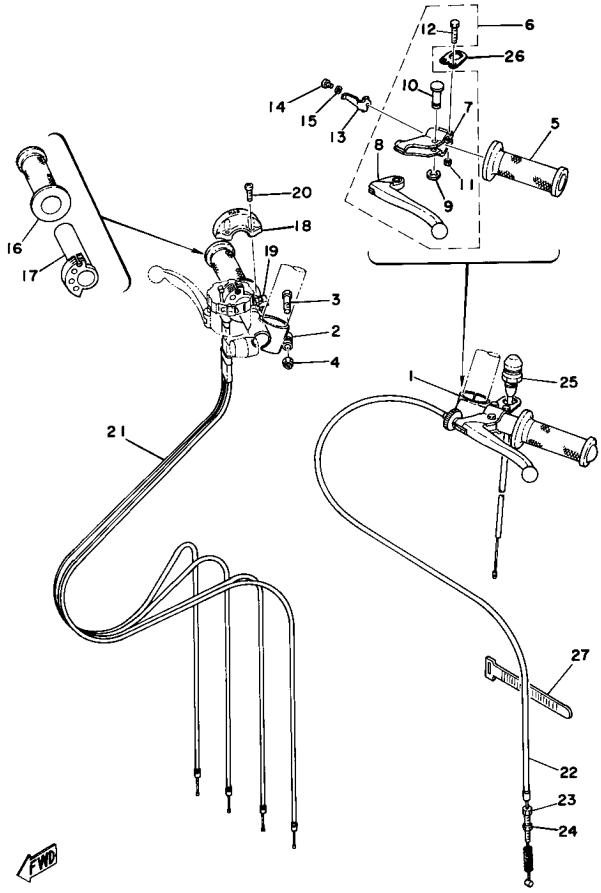
CONTINUED ON NEXT FRAME ➤

FRONT FORK



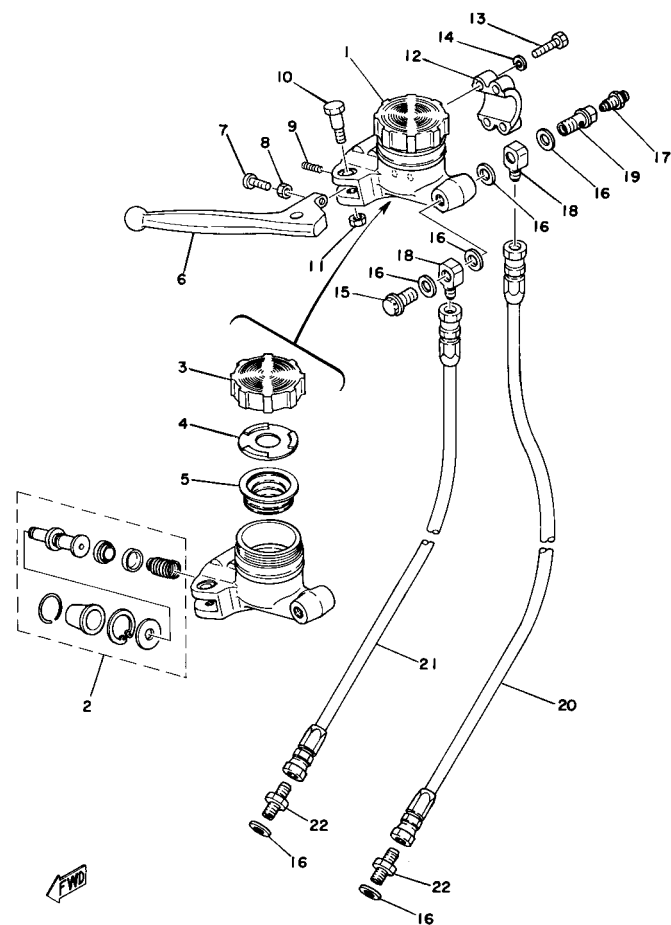
Ref. No.	Part Number	Description	Qty	Remarks
28	90185-08089-00	. NUT, SELF-LOCKING	9	
29	(409-23435-01-00)	CROWN, HANDLE	1	
30	90101-08263-00	. BOLT	3	
-1	(1X2-23101-00-00)	FRONT FORK ASSEMBLY	1	

HANDLE - WIRE



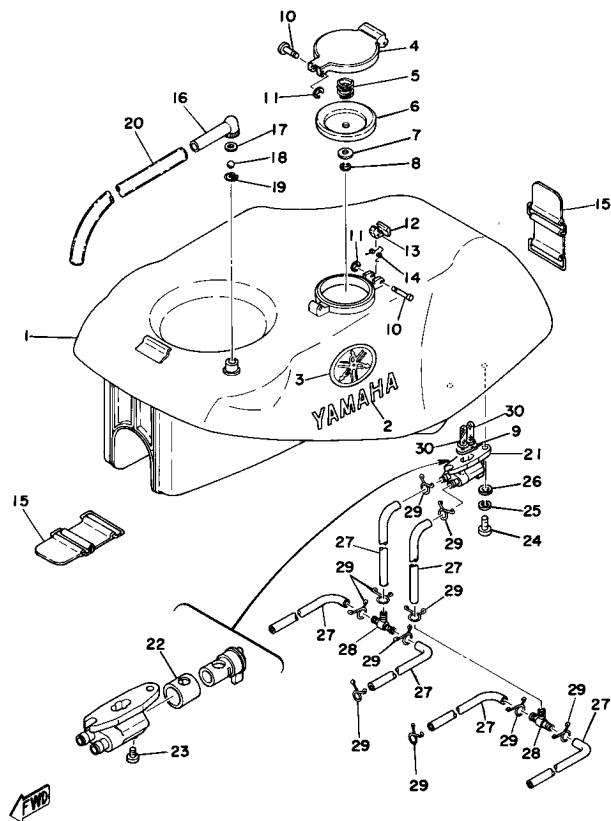
Ref. No.	Part Number	Description	Qty	Remarks
1	409-26121-01-00	HANDLEBAR LH	1	
2	409-26122-01-00	HANDLEBAR RH	1	
3	97313-08035-00	BOLT, HEXAGON	2	
4	95611-08100-00	NUT, U	2	
5	47X-26241-00-00	GRIP (LEFT)	1	
6	1X2-82810-00-00	NO LONGER AVAILABLE	1	
7	(1X2-82811-00-00)	HOLDER, LEVER 1	1	
8	150-83912-00-38	. LEVER L	1	
9	99009-06600-00	. CIRCLIP	1	
10	(1X2-83913-00-00)	COLLAR, LEVER 1	1	
11	95380-06700-00	. NUT	2	
12	97011-06025-00	. BOLT (97001-06025)	2	
13	5F6-26368-00-00	SPRING, LOCK	1	
14	98580-05010-00	SCREW, PAN HEAD	1	
15	92990-05100-00	WASHER, SPRING	1	
16	47X-26242-00-00	GRIP (RIGHT)	1	
17	(409-26243-00-00)	TUBE, THRTL GUIDE	1	
18	(1X2-26281-00-00)	CAP, GRIP UPPER	1	
19	(1X2-26282-00-00)	CAP, GRIP LOWER	1	
20	98511-05020-00	SCREW, PAN HEAD	2	
	98580-05020-00	SCREW, PAN HEAD	2	
21	(409-26311-01-00)	CABLE, THROTTLE 1	1	
22	(409-26335-00-00)	CABLE, CLUTCH	1	
23	90123-06011-00	BOLT	1	
24	90179-06143-00	NUT, SPEC'L SHAPE	1	
25	328-83976-00-00	NO LONGER AVAILABLE	1	
26	(294-83974-00-00)	HOLDER, HANDLE SWCH	1	
27	341-26397-01-00	BAND	1	

FRONT MASTER CYLINDER - BRAKE HOSE



Ref. No.	Part Number	Description	Qty	Remarks
1	409-26121-01-00	HANDLEBAR LH	1	
2	1J3-W0041-20-00	. CYLINDER KIT, MASTER	1	
3	341-25852-00-00	. CAP, RESERVOIR	1	
4	341-25855-30-00	. BUSH, DIAPHRAGM (341-25855-00)	1	
5	341-25854-00-00	. DIAPHRAGM RESERVOR	1	
6	(341-83922-00-00)	LEVER R	1	
7	(1X2-82811-00-00)	HOLDER, LEVER 1	1	
8	90170-06010-00	NUT	1	
9	90501-10312-00	SPRING, COMPRESSION	1	
10	90109-06465-00	BOLT	1	
11	95380-06700-00	NUT	1	
12	97011-06025-00	BOLT (97001-06025)	1	
13	97011-06025-00	BOLT (97001-06025)	4	
14	92995-06100-00	WASHER, SPRING	4	
15	92990-05100-00	WASHER, SPRING	1	
16	90201-10118-00	WASHER, PLATE	6	
17	306-25824-00-00	SCREW, BLEED	1	
18	(1X2-25877-20-00)	BOLT, OIL 1	2	
19	(1X2-25877-20-00)	BOLT, OIL 1	1	
20	(1X2-25872-00-00)	HOSE, BRAKE 1	1	
21	(1X2-25873-00-00)	HOSE, BRAKE 2	1	
22	(1X2-25885-00-00)	JOINT	2	

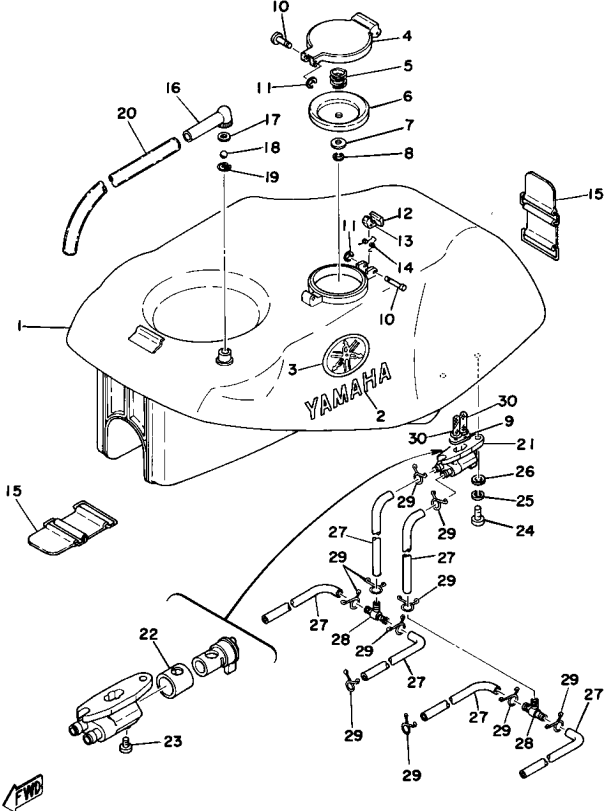
FUEL TANK



Ref. No.	Part Number	Description	Qty	Remarks
1	(1X2-24110-00-01)	FUEL TANK	1	CHAPPY RED/CLEAN WHITE
2	99225-00035-00	EMBLEM 1	1	
3	1X2-24162-00-00	EMBLEM 2	1	
4	294-24611-00-00	BODY, CAP	1	
5	90501-20130-00	SPRING, COMPRESSION	1	
6	294-24612-00-00	GASKET, CAP	1	
7	92990-08200-00	WASHER, PLAIN	1	
8	99009-06600-00	CIRCLIP	1	
9	(1X2-24512-00-00)	GASKET	1	
10	90249-03016-00	PIN, SPEC'L SHAPE	2	
11	93430-02001-00	CIRCLIP	2	
12	256-24628-00-00	HOOK	1	
13	93210-06632-00	O-RING	1	
14	90508-08223-00	SPRING, TORSION (256-24637-00)	1	
15	240-24173-00-00	BAND, TNK FITTING 1	2	
16	143-24681-00-00	NUT, CAP	1	
17	(90430-10028-00)	GASKET	1	
18	143-24684-00-00	BALL	1	
19	143-24685-00-00	CLIP, BALL HOLDER	1	
20	(90446-06007-00)	HOSE	1	
21	(1X2-24500-00-00)	FUEL COCK ASSEMBLY 1 ...	1	
23	619-24535-00-00	SCREW, LVR FITTING	1	
24	98580-05016-00	SCREW, PAN HEAD	2	
25	92990-05100-00	WASHER, SPRING	2	
26	92901-05600-00	WASHER, PLATE	2	
27	(1X2-24311-00-00)	PIPE, FUEL 1	6	
28	1X2-24376-00-00	JOINT, FUEL PIPE	2	

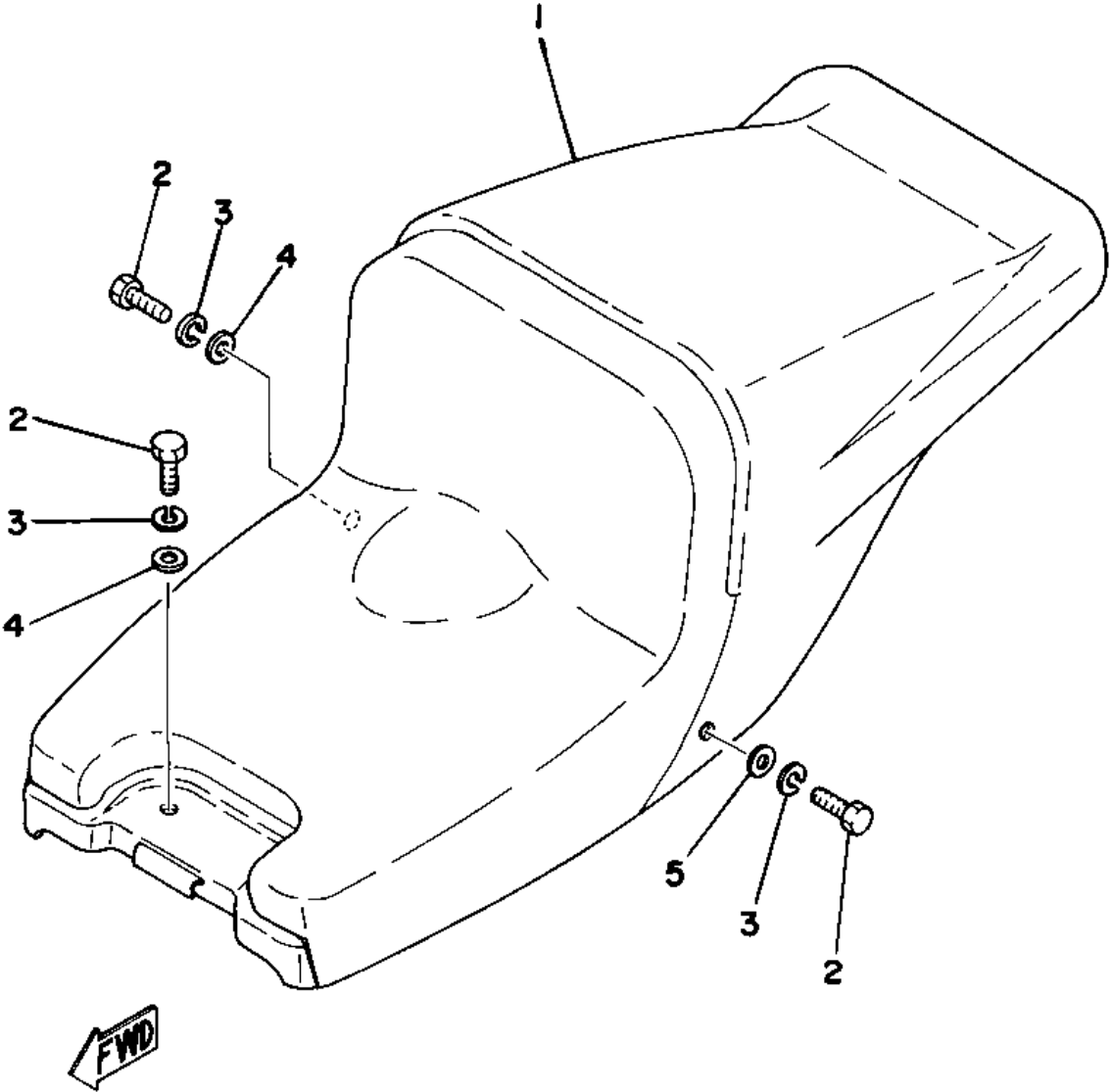
CONTINUED ON NEXT FRAME ►

FUEL TANK



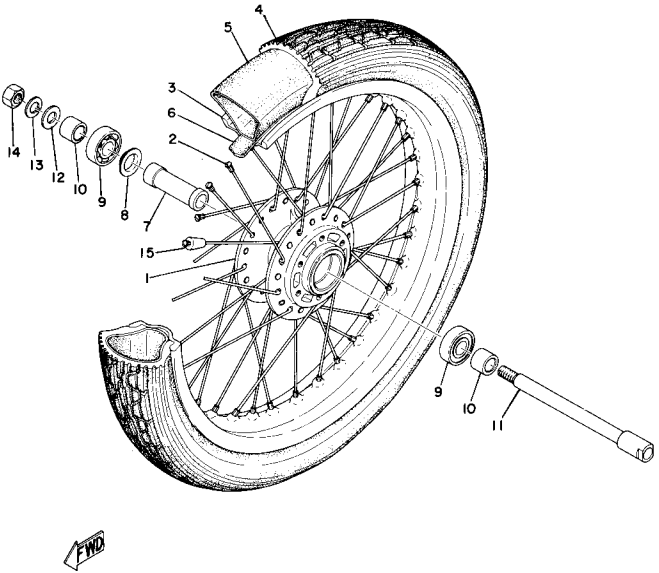
Ref. No.	Part Number	Description	Qty	Remarks
29	90467-10008-00	CLIP	12	
30	322-24514-00-00	NET, FILTER 1	2	

SEAT



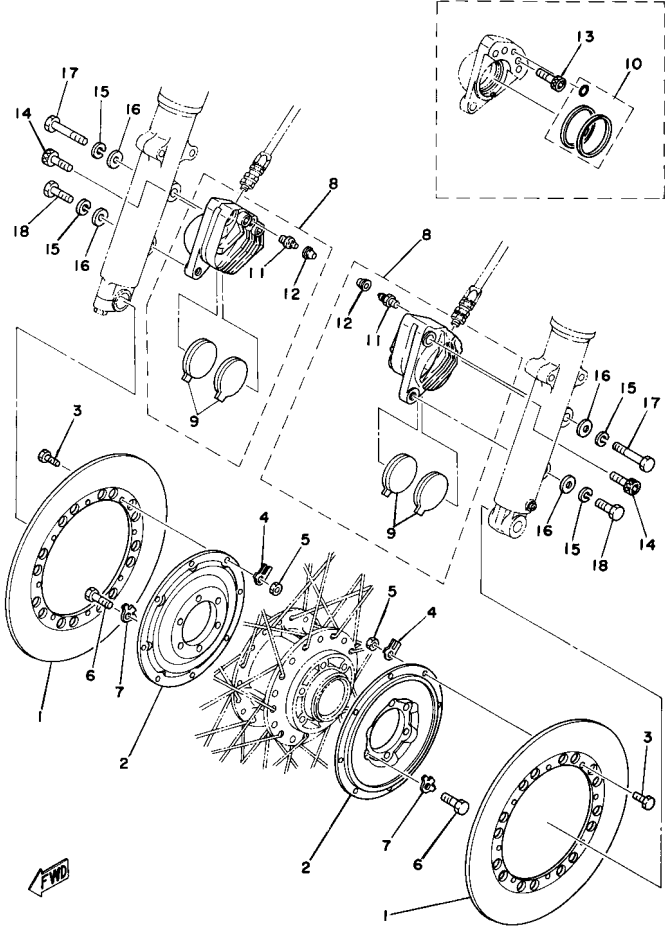
Ref. No.	Part Number	Description	Qty	Remarks
1	(1X2-24710-00-00)	SINGLE SEAT ASSEMBLY	1	
2	97011-06020-00	BOLT	4	
3	92995-06100-00	WASHER, SPRING	4	
4	92901-06600-00	WASHER	1	
5	90201-06059-00	WASHER, PLATE	3	

FRONT WHEEL



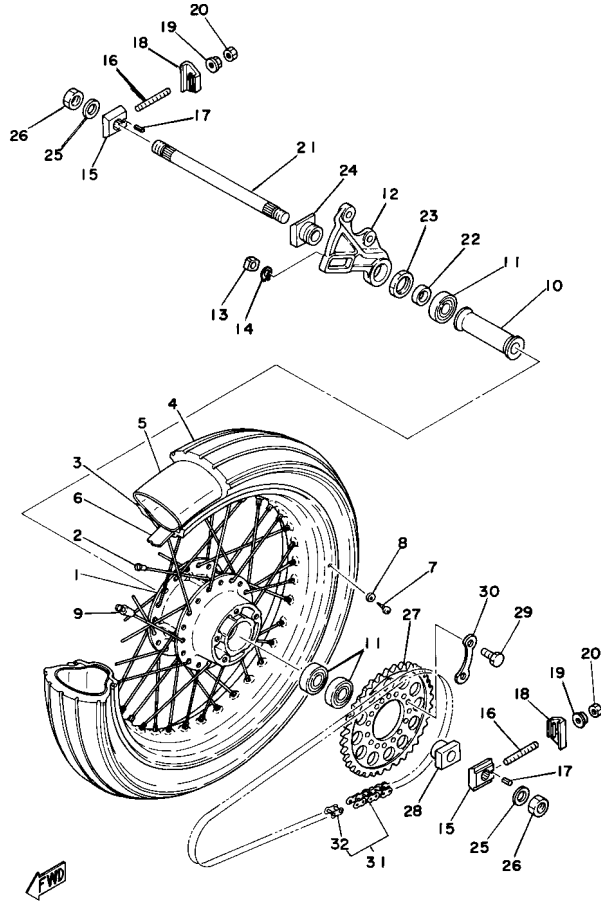
Ref. No.	Part Number	Description	Qty	Remarks
1	(409-25111-00-00)	HUB, FRONT	1	
2	(409-25104-00-00)	SPOKE SET, FRONT	1	
3	(94421-18112-00)	RIM 2.15X 8	1	
7	(1X2-25117-00-00)	SPACER, BEARING	1	
8	5Y9-25316-00-00	FLANGE, SPACER 2	1	N/A
9	93306-30309-00	BEARING	2	
10	(90387-17245-00)	COLLAR	2	
11	(409-25181-00-00)	AXLE, WHEEL	1	
12	92990-14200-00	WASHER, PLAIN	1	
13	92901-14100-00	WASHER, SPRING	1	
14	95312-14600-00	NUT	1	
15	156-25398-00-00	BALANCER, WHEEL	1	

FRONT DISC BRAKE - CALIPER



Ref. No.	Part Number	Description	Qty	Remarks
1	(409-25831-00-00)	DISC, BRAKE	2	
2	(1X2-25832-01-00)	BRACKET, DISC	2	
3	90109-06018-00	BOLT	16	
4	90215-06106-00	WASHER, LOCK (306-25834-00)	16	
5	95380-06600-00	NUT	16	
6	(90101-08272-00)	BOLT	12	
7	1X2-25412-00-00	WASHER	12	
8	(1X2-25810-00-00)	CALIPER ASSEMBLY	2	
9	(1X2-W0045-00-00)	BRAKE PAD KIT, FRNT	2	
10	1X2-W0047-00-00	CALIPER SEAL KIT	2	
11	306-25824-00-00	SCREW, BLEED	2	
12	306-25825-01-00	CAP	2	
13	91316-10030-00	BOLT, SOCKET HEAD	4	
14	91311-10040-00	BOLT	2	
15	92901-10100-00	WASHER, SPRING	4	
	92990-10100-00	WASHER, SPRING	4	
16	92990-10600-00	WASHER, PLATE	4	
17	(1X2-25818-50-00)	BOLT, CALIPER	2	
18	90109-10244-00	BOLT	2	

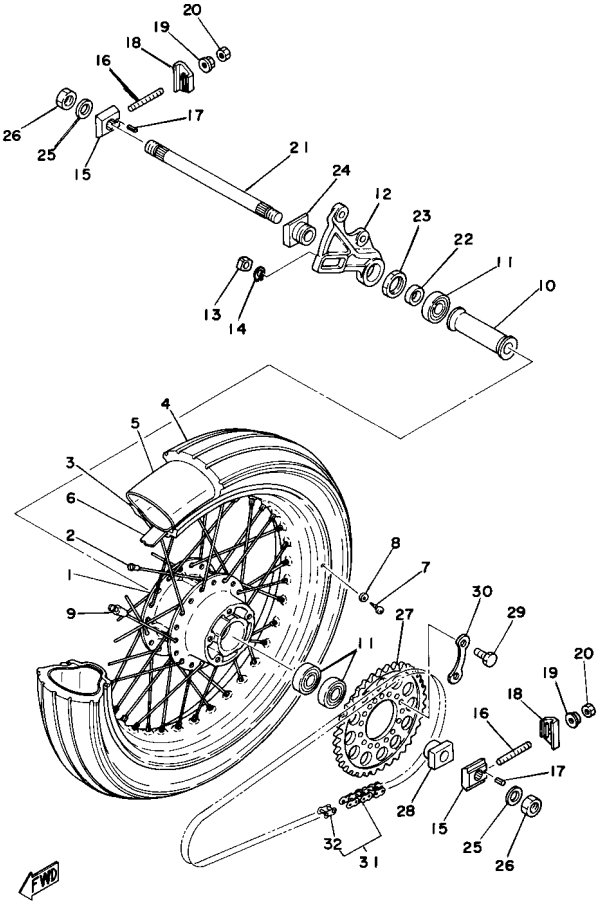
REAR WHEEL



Ref. No.	Part Number	Description	Qty	Remarks
1	(1X2-25311-00-00)	HUB, REAR	1	
2	(1X2-25304-00-00)	SPOKE SET, REAR	1	
7	97780-40116-00	SCREW, TAPPING	8	
8	90201-04014-00	WASHER, PLATE (322-21747-00)	8	
9	156-25398-00-00	BALANCER, WHEEL	1	
10	(1X2-25317-00-00)	SPACER, BEARING	1	
11	93306-20404-00	BEARING	3	
12	(1X2-25819-00-00)	BRACKET, CALIPER	1	
13	(1X2-25837-00-00)	DAMPER, DISC BRKT	1	
14	99009-11400-00	CIRCLIP	1	
15	(1X2-25388-00-00)	PULLER, CHAIN 1	2	
16	(1X2-25389-00-00)	PULLER, CHAIN 2	2	
17	91609-30012-00	PIN, SPRING	2	
18	(1X2-25389-00-00)	PULLER, CHAIN 2	2	
19	95701-08500-00	NUT, FLANGE	2	
20	95303-08700-00	NUT	2	
21	(1X2-25381-00-00)	AXLE, WHEEL	1	
22	(1X2-25377-00-00)	COLLAR, WHEEL	1	
23	(1X2-25385-00-00)	NUT, SPROCKET AXLE	1	
24	(1X2-25383-00-00)	COLLAR, WHEEL	1	
25	(1X2-25384-00-00)	WASHER, WHEEL	2	
26	1X2-25382-01-00	NUT, AXLE	2	
27	(409-25437-00-00)	SPROCKET, DRIVN 37T		
	(409-25438-00-00)	SPROCKET, DRIVN 38T	1	STD
	(409-25439-00-00)	SPROCKET, DRIVN 39T	1	
	(409-25440-00-00)	SPROCKET, DRIVN 40T		
28	(1X2-25376-00-00)	COLLAR, WHEEL	1	
29	(1X2-25411-00-00)	BOLT	5	

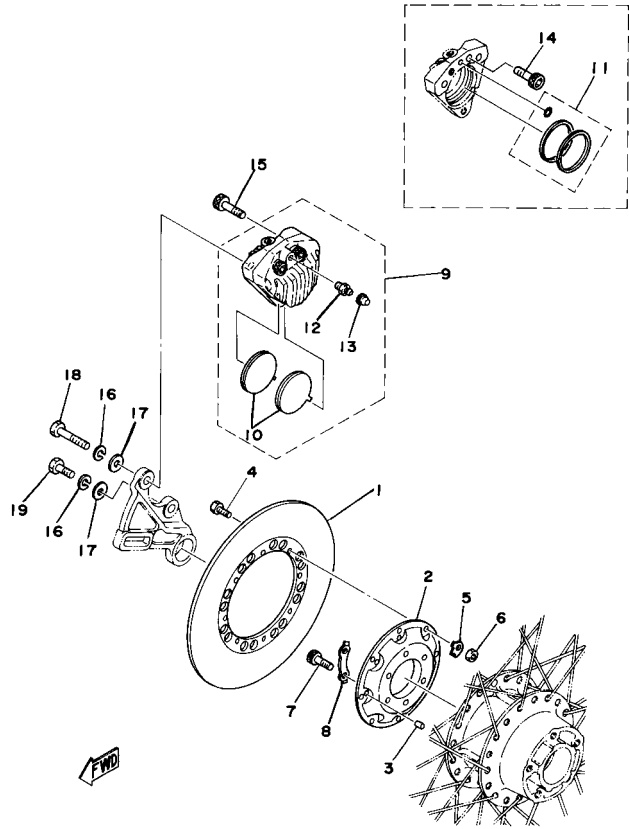
CONTINUED ON NEXT FRAME ►

REAR WHEEL



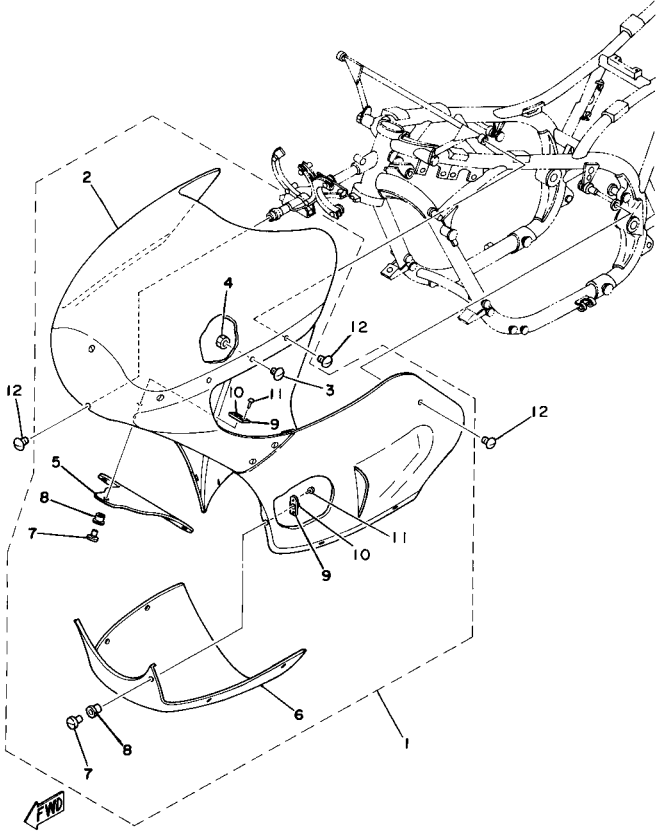
Ref. No.	Part Number	Description	Qty	Remarks
30	(409-25412-00-00)	WASHER	3	
31	94580-05100-00	UNAVAILABLE IN PRICE BOOK	1	N/A
32	94680-05031-00	UNAVAILABLE IN PRICE BOOK	1	N/A

REAR DISC BRAKE - CALIPER

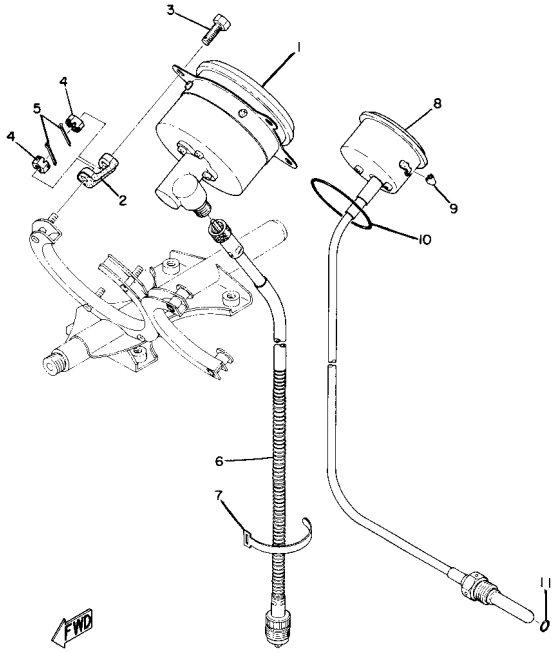


Ref. No.	Part Number	Description	Qty	Remarks
1	(1X2-25831-50-00)	DISC, BRAKE	1	
2	(1X2-25842-51-00)	BRACKET, DISC	1	
3	(91609-40008-00)	PIN, SPRING	8	
4	90109-06018-00	BOLT	8	
5	90215-06106-00	WASHER, LOCK (306-25834-00)	8	
6	95380-06600-00	NUT	8	
7	97013-08025-00	BOLT	6	
8	341-25412-00-00	WASHER	3	
9	(1X2-25810-50-00)	CALIPER ASSEMBLY	1	
10	1X2-W0046-00-00	. BRAKE PAD KIT, REAR	1	
11	1X2-W0047-00-00	. CALIPER SEAL KIT	1	
12	306-25824-00-00	. SCREW, BLEED	1	
13	306-25825-01-00	. CAP	1	
14	91316-10030-00	. BOLT, SOCKET HEAD	2	
15	91311-10040-00	BOLT	1	
16	92901-10100-00	WASHER, SPRING	2	
	92990-10100-00	WASHER, SPRING	2	
17	92990-10600-00	WASHER, PLATE	2	
18	(1X2-25818-01-00)	BOLT, CALIPER	1	
19	(1X2-25818-41-00)	BOLT, CALIPER	1	

COWLING



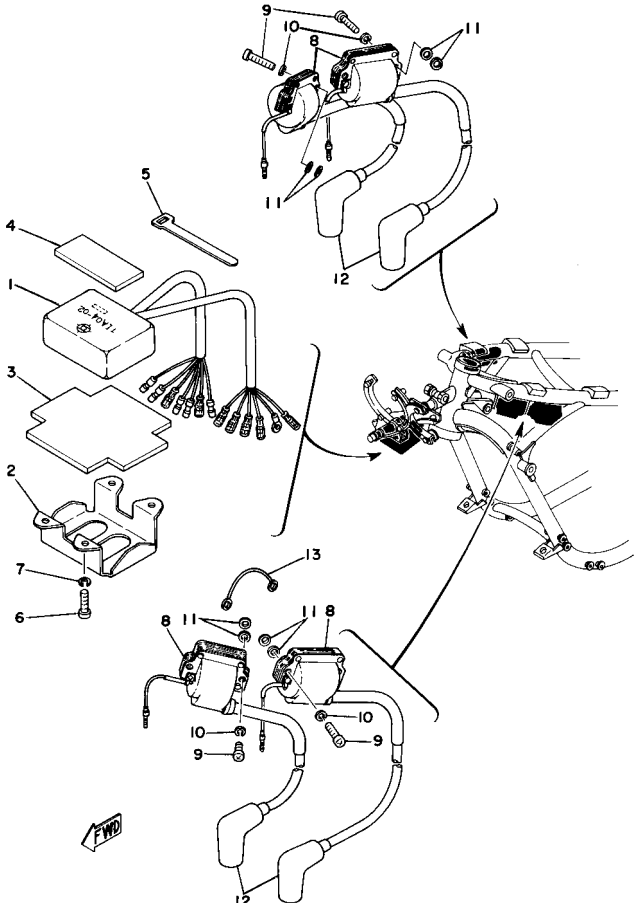
Ref. No.	Part Number	Description	Qty	Remarks
1	(ACC-11110-77-07)	TZ500/750RRFR W/WS	1	
2	(ACC-11110-77-04)	TZ750E WNDSHD ONLY	1	
3	90140-04012-00	. SCREW, ROUND HEAD	7	
4	95301-04600-00	. NUT	7	
7	240-28386-00-00	HEAD	13	
8	240-28389-00-00	RIVET	1	
10	(240-28388-00-00)	SPRING	13	
11	(90260-02002-00)	RIVET, ROUND HEAD	2	
12	90140-06010-00	SCREW, ROUND HEAD (143-28353-00)	5	



METER

Ref. No.	Part Number	Description	Qty	Remarks
1	328-83540-00-00	TACHOMETER ASSEMBLY ...	1	
2	143-83543-00-00	DAMPER, BRACKET	4	
3	(90102-05012-00)	BOLT, WITH HOLE	4	
4	95301-05900-00	NUT, SLOTTED	8	
5	91401-10015-00	PIN, COTTER	8	
6	409-83560-01-00	TACHOMETER CABLE	1	
7	437-83936-11-00	BAND, SWITCH CORD	1	
8	(409-83590-01-00)	WATER TEMP METER	1	
9	90468-10001-00	CLIP	2	
10	93210-56077-00	O-RING	1	
11	93210-10118-00	O-RING	1	

ELECTRICAL



Ref. No.	Part Number	Description	Qty	Remarks
1	(1X2-85540-10-00)	CDI UNIT ASSEMBLY	1	
2	(1X2-85542-00-00)	BRACKET	1	
3	(1X2-85547-00-00)	DAMPER	1	
4	(1X2-85547-00-00)	DAMPER	1	
5	341-26397-01-00	BAND	2	
6	98511-06025-00	SCREW PAN HEAD (92501-06025)	4	
7	92995-06100-00	WASHER, SPRING	4	
8	322-82310-10-00	IGNITION COIL ASSEMBLY	4	
9	98511-06025-00	SCREW PAN HEAD (92501-06025)	8	
10	92995-06100-00	WASHER, SPRING	8	
11	92990-06200-00	WASHER	16	
12	(1X2-82370-00-00)	PLUG CAP ASSEMBLY	4	
13	5F7-82519-00-00	WIRE, EARTH LEAD	1	